

ER-84

84" aluminum open frame 19" rack

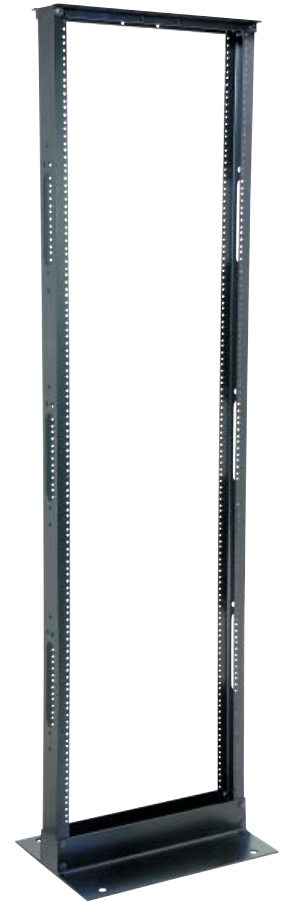
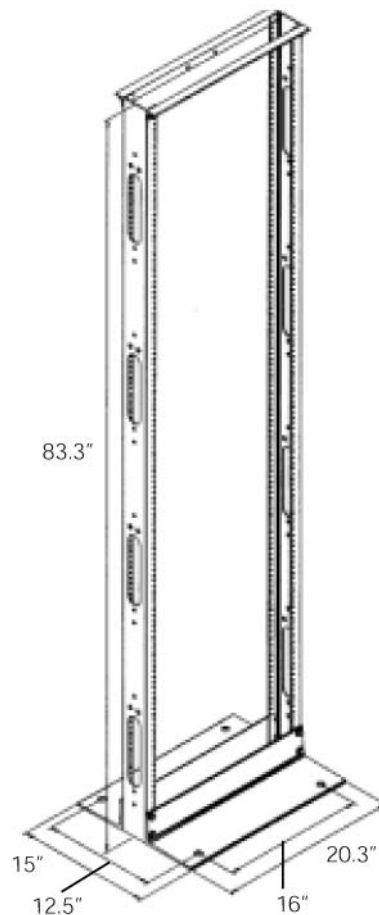
Product Features:

- EIA compliant
- 45 rack spaces
- aluminum construction
- self squaring design
- standard 10 - 32 threading
- includes 32 rack screws
- black static resistant powder coat finish

Product Specifications:

(for Architects & Engineers)

The equipment rack shall be the Video Mount Products (VMP) model ER-84. The rack shall be capable of accommodating standard 19" racking equipment. The rack channels shall be tapped with 10-32 holes in universal E.I.A. spacing. The rack shall provide 45 rack spaces. The rack shall include 32 rack screws. The rack shall be painted with a durable black powder coat finish.



Video Mount Products
325 Log Canoe Circle
Stevensville, MD 21666
Phone: 410.643.6390
Fax: 410.643.6615
www.videomount.com

