

UP-1

universal mounting plate

Product Features:

12" and 16" centers with threaded hole patterns for VMP-006, 014/024, 036/038, 046/048 (wall only), LCD-2537C, PDM-C, and PM Series allows for 2 stud/joist span to distribute mounting system and equipment weight

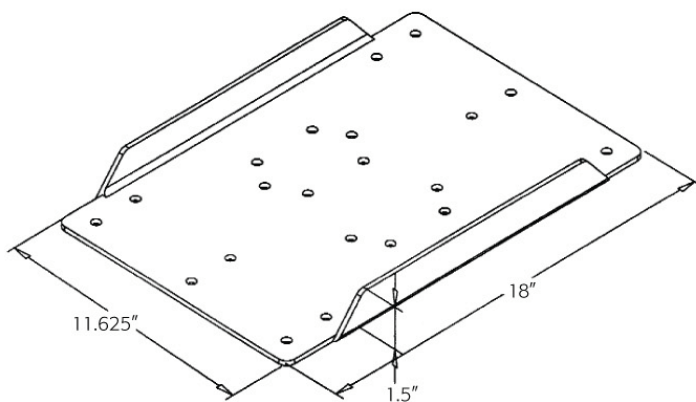
black powder coat finish



Product Specifications: *(for Architects & Engineers)*

The mounting plate for the TV/Monitor mount shall be the Video Mount Product(VMP) model UP-1 (universal mounting plate). The mounting plate shall allow for a two stud/joist span to distribute mounting system and equipment weight.

Mounting plate shall be 18" wide by 11.525" high. The mounting plate shall include mounting holes for 12" and 16" centers. The mounting plate shall include threaded hole patterns for VMP006, VMP014/024, VMP036/038, 046/048 (wall only), LCD-2537C, PDM-C, and PM Series.



Video Mount Products

325 Log Canoe Circle
Stevensville, MD 21666

Phone: 410.643.6390

Fax: 410.643.6615

www.videomount.com

