

# LCD-MID-CM2

*Dual Mid-Size Flat Panel Ceiling Mount*

## Product Features:

Adapts LCD-MID-C (sold separately) to accommodate 2 flat panels

Holds Most 27" - 42" LCD Monitors

Mounting rails adjust to accommodate monitors with mounting holes up to VESA 400 x 200

Adjustable -5° to +20° tilt

LCD-MID-C and LCD-MID-CM2 combined load capacity - 200 lbs.

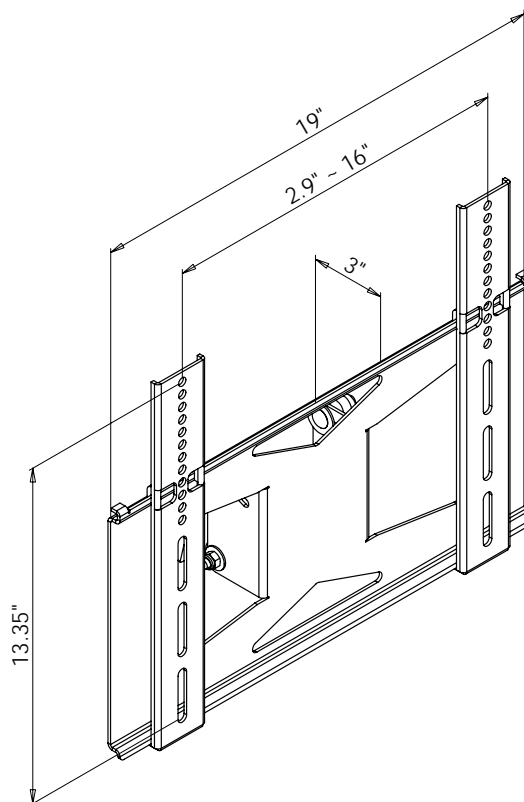
Silver Powder Coat finish

## Product Specifications:

*(for Architects & Engineers)*

The adaptor which will allow two ceiling mounted mid sized flat panels shall be the Video Mount Products (VMP) LCD-MID-CM2.

The adaptor shall used in conjunction with the Video Mount Products (VMP) LCD-MID-C to mount two flat panels to the ceiling or other suitable support surface. The adaptor shall be primarily constructed of formed steel and shall incorporate spot welds and nylon filled nuts. The combined load capacity of the LCD-MID-C and LCD-MID-CM2 shall be 200 lbs.



## Video Mount Products

325 Log Canoe Circle

Stevensville, MD 21666

Phone: 410.643.6390

Fax: 410.643.6615

[www.videomount.com](http://www.videomount.com)

