

FP-XMWAB

Extra Medium Articulating Flat Panel Flush Mount

Product Features:

Holds most 32" – 52" flat panels

Maximum flat panel hole pattern – 800mm x 500mm

Rotates 45° and has adjustable 0° to 15° tilt

Depth 5.3" (arms collapsed) / Depth 16.3" (arms extended)

Mounting rails accept padlocks

Includes level correction capability

Load capacity - 130 lbs

Black powder coat finish

Product Specifications:

(for Architects & Engineers)

The articulating wall mount for the 32" to 52" flat panel display shall be the Video Mount Products (VMP) FP-XMWAB. The mount shall be designed to attach to 2 studs approximately 16" apart or other suitable support surface.

The mount shall be constructed primarily of formed steel and aluminum and shall incorporate arc welds. The mount shall be a universal style mount capable of adjusting to the dimensions of a variety of popular 32" to 52" flat panel displays and not necessarily be model specific. The adjustable mounting rails shall be capable of accommodating a maximum hole pattern of 800 mm wide and 500 mm tall. The mount shall be capable of tilting from 0° to +15°. The mount shall incorporate post install level correction capability. The mounting rails shall be capable of accepting a pad lock to further secure the flat panel against theft. The load capacity shall be 130 lbs.

Video Mount Products

345 Log Canoe Circle

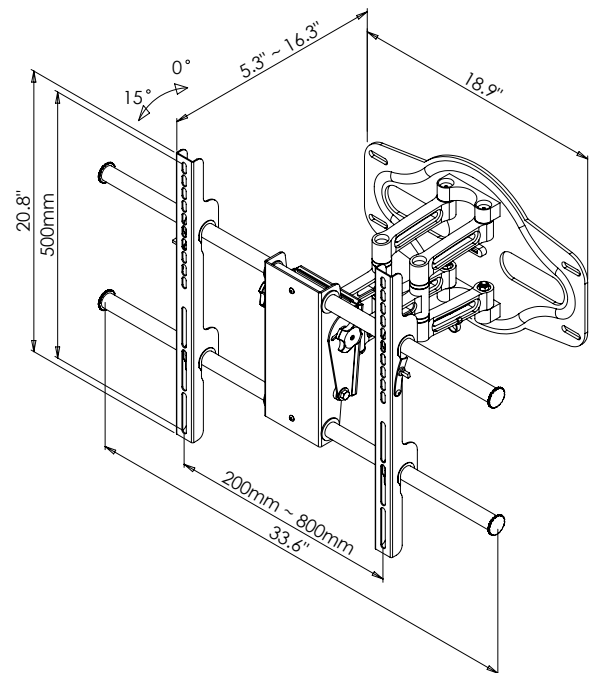
Stevensville, MD 21666

Toll Free: 877.281.2169

Telephone: 410.643.6390

Facsimile: 410.643.6615

www.videomount.com



VMP
VIDEO MOUNT PRODUCTS