

ER-LCD1017

universal LCD monitor rack mount

Product Features:

accommodates monitors with 75 & 100 mm
VESA standards

holds most 10" to 17" monitors / inverts to
also hold up to 23" monitors

recesses monitor into rack

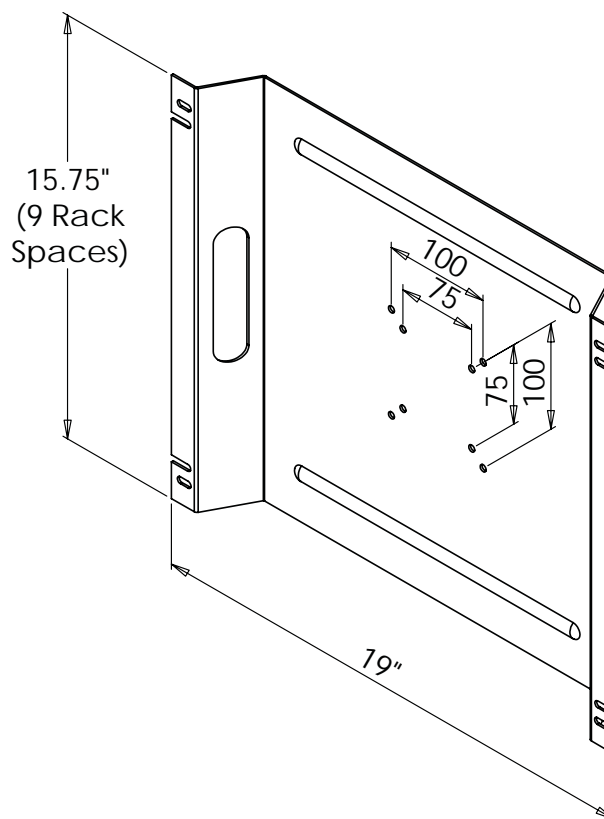
9 space racking height

load capacity - 50 lbs

black static resistant powder coat finish

Product Specifications: *(for Architects & Engineers)*

The equipment rack mount for the LCD shall be the Video Mount Products (VMP) model ER-LCD1017. The mount shall be compatible with standard 19" equipment racks without modification. The mount shall be a universal style capable of mounting to most 10" to 17" LCD monitors that incorporate 75mm and 100mm standard mounting hole patterns and not necessarily be model specific. The load capacity shall be 50 lbs. The mount shall be painted with a durable static resistant black powder coat finish.



Video Mount Products

325 Log Canoe Circle

Stevensville, MD 21666

Phone: 410.643.6390

Fax: 410.643.6615

www.videomount.com

