

# AK-2

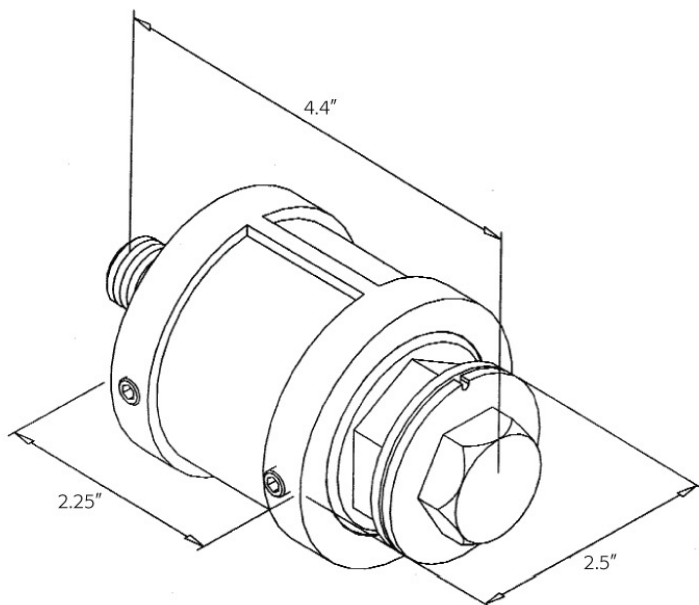
*adapter kit*

## Product Features:

adapts mounts to be used with standard 1"  
n.p.t. plumbing pipe

## Product Specifications: *(for Architects & Engineers)*

The adapter kit for models VMP042/044, VMP046/048, and LCD-1C mounts shall be a Video Mount Products (VMP) model AK-2. This adapter shall allow the mount to accept standard 1" N.P.T. plumbing pipe. The adapter will be used when the desired pipe length from the ceiling to the mount exceeds 60". Use in conjunction with the CP-2 (Ceiling Plate).



**Video Mount Products**  
325 Log Canoe Circle  
Stevensville, MD 21666  
Phone: 410.643.6390  
Fax: 410.643.6615  
[www.videomount.com](http://www.videomount.com)

