

AK-1

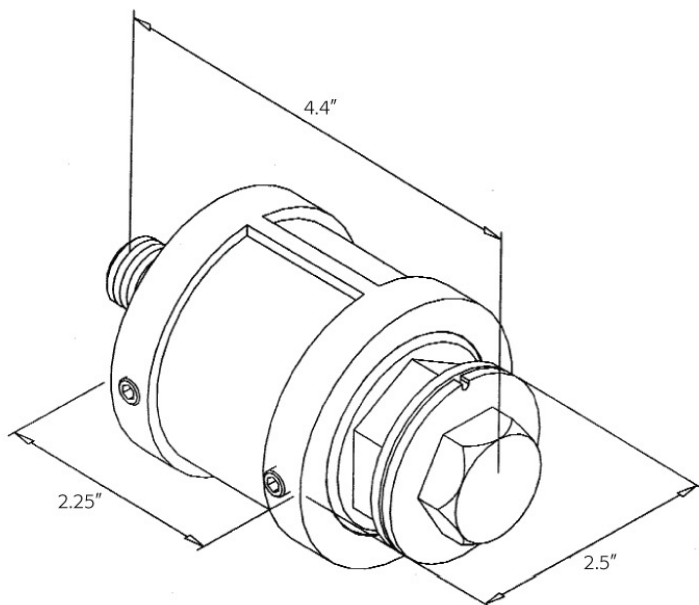
adapter kit

Product Features:

adapts mounts to be used with standard 1.5"
n.p.t. plumbing pipe

Product Specifications: *(for Architects & Engineers)*

The adapter kit for models VMP014/024, 036/038, PM Series, PDM-C, and LCD-2537C mounts shall be a Video Mount Products (VMP) model AK-1. This adapter shall allow the mount to accept standard 1.5" N.P.T. plumbing pipe. The adapter will be used when the desired pipe length from the ceiling to the mount exceeds 60". Use in conjunction with the CP-1 (Ceiling Plate).



Video Mount Products
325 Log Canoe Circle
Stevensville, MD 21666
Phone: 410.643.6390
Fax: 410.643.6615
www.videomount.com

