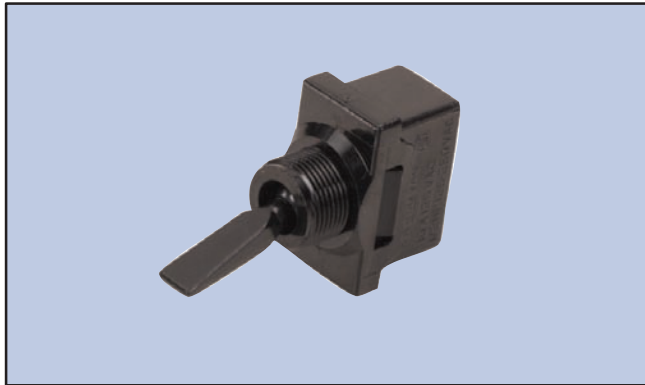


# Nylon Paddle Toggle



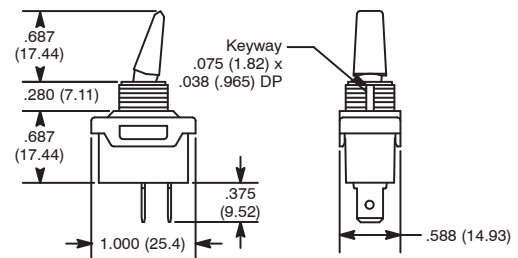
## Features

- Nylon Insulated Toggle
- Self-Cleaning Wiping Contacts
- Industry Standard .500" Dia Mounting Hole
- Support Double Insulated Requirements



| NTE Type No. | Circuitry | Action |      |    | Actuator    | Diag No. |
|--------------|-----------|--------|------|----|-------------|----------|
| 54-020       | SPST      | OFF    | NONE | ON | Black Nylon | S6b      |
| 54-021       | SPDT      | ON     | NONE | ON | Black Nylon | S6b      |
| 54-022       | SPDT      | ON     | OFF  | ON | Black Nylon | S6b      |

S6



### Terminal Types

b: .250" Tab (Q.C.)



## Specifications

**Current Rating:** 20A 125VAC, 10A 250VAC, 1 1/2 HP 125-250VAC  
**Insulation Resistance:** 100 Megohms (min.)  
**Dielectric Strength:** 1000V RMS (min.)  
**Temperature Rating:** +32° to +185°F (0° to +85°C)  
**Electrical Life:** 25,000 cycles  
**Mechanical Life:** 100,000 cycles  
**Terminal Type:** .250" Tab Q.C.  
**Mounting Hole:** .500 (12.7)

# Nylon Paddle Toggle



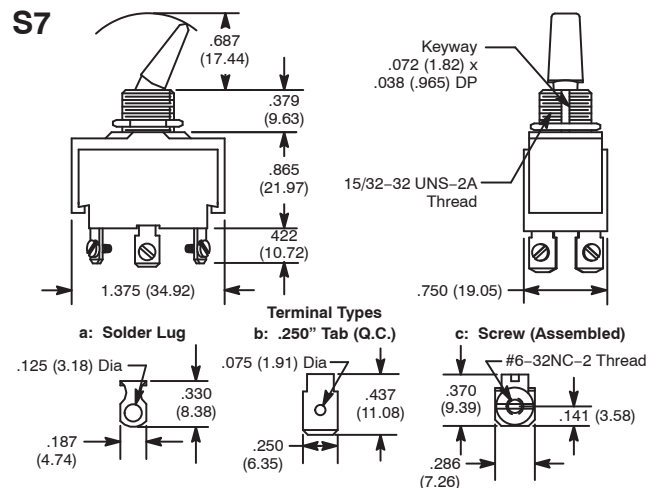
## Features

- Slow Make, Slow Break Contacts
- Heavy Duty AC Rated Also Suitable for Low Voltage DC Applications
- Industry Standard .500" Dia Mounting Hole



| NTE Type No. | Circuitry | Action |      |     | Actuator            | Diag No. |
|--------------|-----------|--------|------|-----|---------------------|----------|
| 54-110       | SPST      | ON     | NONE | OFF | Black Polycarbonate | S7c      |
| 54-111       | SPDT      | ON     | NONE | ON  | Black Polycarbonate | S7c      |
| 54-119       | SPDT      | ON     | OFF  | ON  | Black Polycarbonate | S7b      |
| 54-107       | DPST      | ON     | NONE | OFF | Black Polycarbonate | S7b      |
| 54-112       | DPST      | ON     | NONE | OFF | Black Polycarbonate | S7c      |
| 54-084       | DPDT      | ON     | NONE | ON  | Black Polycarbonate | S7a      |
| 54-085       | DPDT      | ON     | OFF  | ON  | Black Polycarbonate | S7a      |
| 54-108       | DPDT      | ON     | NONE | ON  | Black Polycarbonate | S7b      |
| 54-109       | DPDT      | ON     | OFF  | ON  | Black Polycarbonate | S7b      |
| 54-120       | DPDT      | ON     | OFF  | ON  | Black Polycarbonate | S7c      |

S7



## Specifications

**Current Rating:**  
**54-084 & 54-085:** 6A 125VAC, 3A 250VAC, 1/4 HP 125-250VAC  
**All Other Devices:** 20A 125-277VAC, 1 1/2 HP 125VAC, 2 HP 250VAC  
**Insulation Resistance:** 100 Megohms (min.)  
**Dielectric Strength:** 1000V RMS (min.)  
**Temperature Rating:** +32° to +185°F (0° to +85°C)  
**Electrical Life:** 50,000 cycles  
**Mechanical Life:** 100,000 cycles  
**Terminal Type:** Refer to Diag No. in Table  
**Mounting Hole:** .500 (12.7)