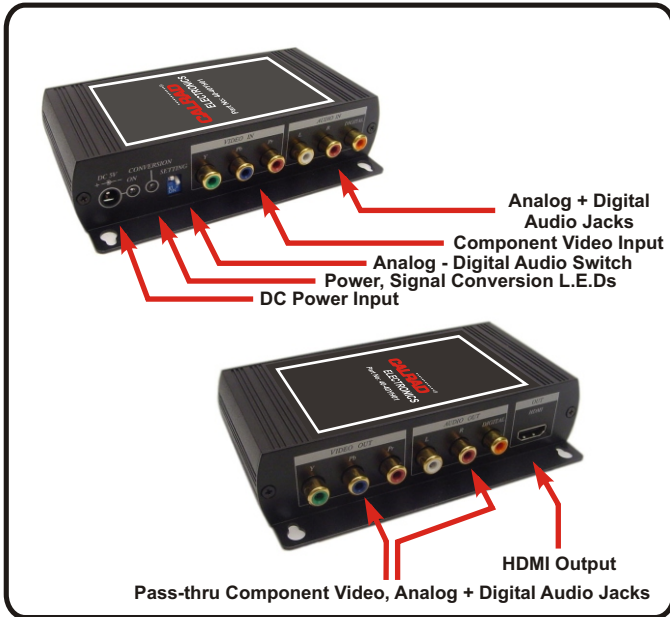


.....[®]
CALRAD
ELECTRONICS

819 N. Highland Ave.
 Los Angeles, CA 90038

Tel (323) 465-2131, Fax (323) 465-3504
 Visit us on the web at www.calrad.com

New Part No. **40-40YH01**
Component Video + Audio to HDMI Converter

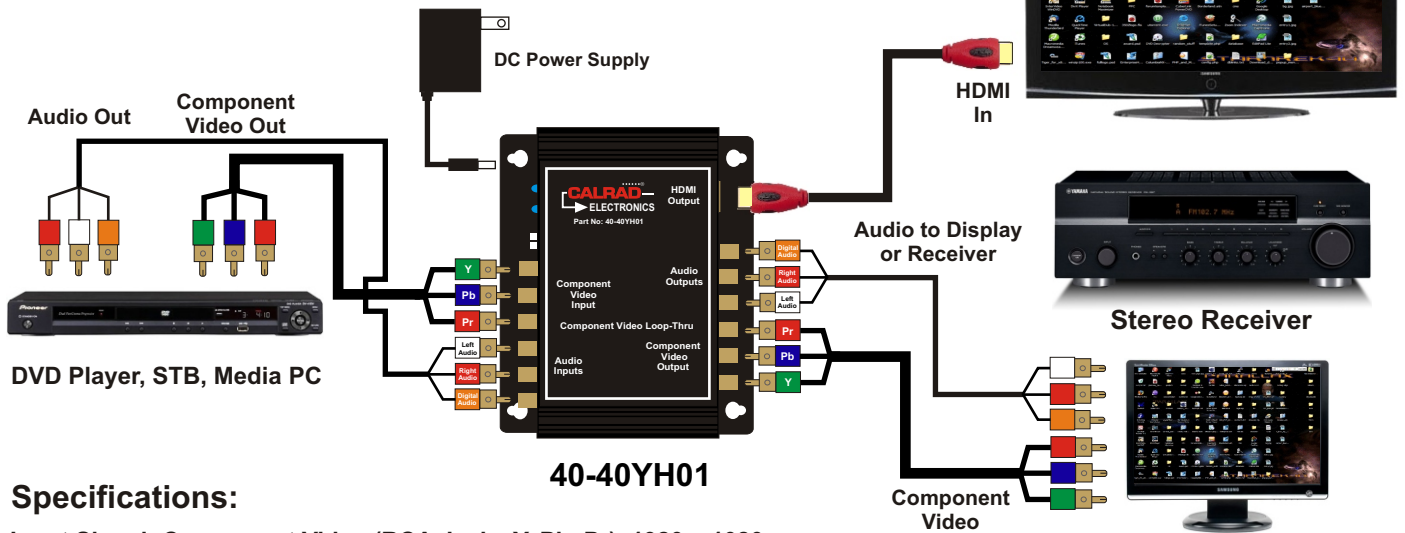


Calrads new 40-40YH01 video converter provides a simple method to convert component video and analog or digital audio to HDMI. Plug and Play design.

The converter uses a selectable dip switch to select either stereo R/L audio or digital audio. If the component video source is set to 480I, 576I, 576P, 720p, 1080I, 1080p, then it will convert to HDMI at the same corresponding resolution. Component video, stereo analog and digital audio pass-thru jacks are provided for uninterrupted signal to a second display.

HDMI Video
HDTV Display or Projector

Component Video + Audio Conversion to HDMI



Specifications:

Input Signal: Component Video (RCA Jacks Y, Pb, Pr), 1920 x 1080p max, Analog Stereo Audio or Digital Audio (RCA Jacks)
 Output Signal Loop (Component Video, Analog Stereo + Digital Audio)
 Output Signal: HDMI 1.3, supports DVI format, adapter not included
 Video Amplifier Bandwidth: >140MHz
 Audio Input Impedance: Analog Audio - 10K, Digital Audio - 75 Ohms
 DC Power Coax Jack: 5Vdc, 500ma
 Size: L - 3.75" x W - 4.75" x H - 1.25"
 Environmental Operating Temperature 0 to +70 c
 Operating Humidity 10% to 85 % RH (no condensation) Storage Temperature -10 to +80 c Storage Humidity 5% to 95 % RH (no condensation)
 Weight: 300g, Color: Black

Supported HDTV Resolutions:
 480I, 60Hz, 720 x 480, Interlaced
 576I, 50Hz, 720 x 576, Interlaced
 480P, 60 Hz, 720 x 480, Progressive
 576P, 50Hz, 720 x 576, Progressive
 720P, 50Hz - 60Hz, 1280 x 720, Progressive
 1080I, 50Hz - 60Hz, 1920 x 1080, Interlaced
 1080P, 60Hz, 1920 x 1080 Progressive