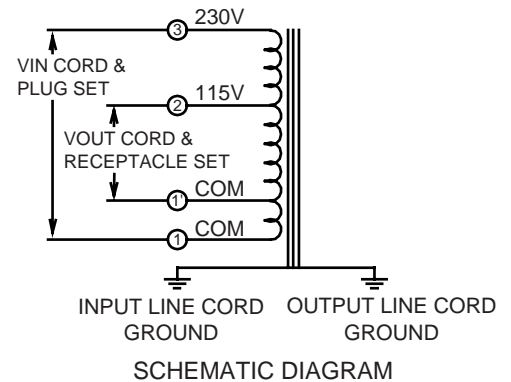
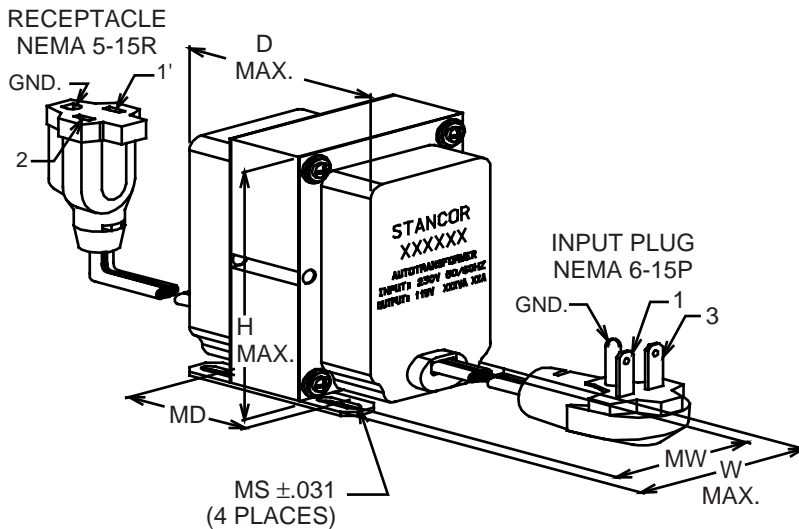


⚠ WARNING	
	ELECTROCUTION HAZARD
	Disconnect electric power to system at main fuse or circuit breaker box before servicing. Failure to do so could result in death or serious injury.
	FIRE HAZARD
	Do not exceed transformer ratings. Higher voltage may damage control and could cause personal injury or property damage.

INPUT:	230VAC, 50/60Hz
OUTPUT:	115 VAC (See Output Amp rating & VA Capacity in table below)
INSULATION RATING:	Class A (105°C)
TEMPERATURE RISE:	65°C Max. rise over 40°C Max. ambient
DIELECTRIC STRENGTH:	1500 VRMS

NOTES:

1. All dimensions in inches, unless otherwise specified.
2. All dimensions $\pm .062$, unless otherwise specified.
3. Plug cord 5 1/2 feet long min.
4. Receptacle cord 8 inches long min.



STANCOR Part No.	Output Amps	V.A. Cap.	Dimensions - Inches						Wt. Lbs.
			H	W	D	MW	MD	MS	
P-6287	0.35	40	3.19	2.56	2.75	2.00	1.75	.203 X .687	2.20
GSD-75	0.65	75	3.19	2.56	2.88	2.00	1.75	.203 X .687	3.00
P-8630	0.74	85	3.19	2.56	2.88	2.00	1.75	.203 X .687	2.50
GSD-100	0.87	100	3.19	2.56	3.25	2.00	2.06	.203 X .687	3.70
P-8631	1.10	125	3.19	2.56	3.13	2.00	2.06	.203 X .687	3.00
GSD-150	1.30	150	3.94	3.19	3.25	2.50	2.22	.203 X .750	4.40
P-8632	1.74	200	3.94	3.19	3.25	2.50	2.25	.203 X .750	4.20
GSD-250	2.20	250	3.94	3.19	3.63	2.50	2.22	.203 X .750	5.80
GSD-300	2.60	300	3.94	3.19	3.63	2.50	2.22	.203 X .750	5.80
GSD-350	3.00	350	3.94	3.19	4.31	2.50	2.72	.203 X .750	7.30
P-8634	3.50	400	3.94	3.19	4.25	2.50	2.72	.203 X .750	7.00
GSD-500	4.30	500	4.69	3.81	4.44	3.00	3.19	.203 X .500	10.6
GSD-750	6.50	750	4.69	3.81	5.38	3.00	3.94	.203 X .750	14.4
GSD-1000	8.70	1000	4.69	3.81	6.06	3.00	4.69	.203 X .750	17.0
GSD-1500	13.0	1500	5.44	4.44	6.00	3.50	4.00	.203 X .750	20.0