

PSL-24200 25.6 Volt 22.0 AH

Lithium Iron Phosphate (LiFePO₄)
Rechargeable Battery

We've Got The Power.™

Power-Sonic Batteries Engineered With Vision. Built With Care.



Power-Sonic Corporation has been a leading force since 1970 in the supply of high quality cost effective batteries.

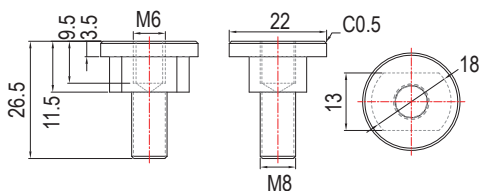
We market an extensive range of rechargeable batteries worldwide. These batteries envelop a broad spectrum of electronic and industrial applications, either as the prime or standby power source.

Power-Sonic is dedicated to continual product development to improve the performance and reliability of our product range. New batteries are constantly being introduced to meet the ever evolving needs of industry.

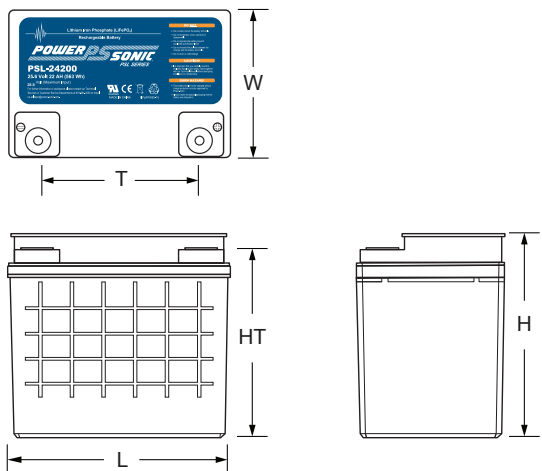
We are a 100% US owned private company. The corporation has an enviable record of growth and financial stability.

Providing our customers with reliable, yet economical, products is the corner stone of the Power-Sonic mission.

Terminals: (mm)



Physical Dimensions: in (mm)



L: 7.70 (195) W: 5.20 (130) H: 7.20 (183) HT: 7.20 (183)
T: 5.51 (140mm)

About Lithium Iron Phosphate (LiFePO₄)

- Compact and only 40% of the weight of comparable capacity SLA batteries. Making it much easier to handle and transport.
- Extraordinary cycle life ~ 2,500 cycles.
- 2½ hours recharge time (C/5) under recommended conditions with 10A charging current.
- Compatible with SLA battery chargers.
- Direct AGM replacement for 24 volt system of 18AH to 30AH.
- Safe and stable chemistry. The use of lithium iron phosphate greatly reduces the risk of combustion or explosion due to high impact, overcharging or short circuit situations.
- UN 38.3, UL1642, UL2054, IEC62133, FCC and CE approved. Certified compliant with EU Battery Directive 2006/66/EC.

Performance Specifications	General Parameters	Comments
Nominal Voltage	25.6 volts	
Rated Capacity (77°F/25°C)	22.0 AH	Standard discharge (0.2C) after Standard charge (0.2C)
Minimum Capacity (77°F/25°C)	21.0 AH	
Dimensions (in./mm)		
Length	7.70 / 195 (max)	
Width	5.20 / 130 (max)	
Height	7.20 / 183 (max)	
Life Expectation	Residual capacity is about 60% of rated capacity	Charge CC @ 0.2C to 28.8V then CVCV until current to 0.05C. Rest 30 min. Discharge 0.2C to 20V. Temperature 60 ± 9°F (20±5°C). Carry out 2,500 cycles
Approximate Weight lbs./kg.	13.0/5.9 (max)	
Internal Resistance Fully Charged (77°F/25°C)	<60 mΩ	
Discharge Cut-Off Voltage	≥20V	Release at 24.0V
Charging Cut-Off Voltage	≤28.8V	Release at 27.6V
Terminals	M6 button (female-threaded)	
Standard Charge	0.2C Constant Current (CC) charge to 28.8V, then Constant Voltage (CV) 28.8V charge until charge current declines to 0.05 C	
Standard Discharge	Constant Current 0.2 C, Cut-off Voltage 20.0V	
Assembly Method	IFR 18650EC - 1.5AH	8S15P
Maximum Continuous Charge Current	10A	@ 68°F (20°C)
Maximum Continuous Discharge Current	16A	@ 68°F (20°C)
Charge Temperature Range	32–122°F (0–50°C)	60±25% Relative Humidity
Discharge Temperature Range	14–122°F (-10~50°C)	
Storage Temperature Range	Less than 1 year 32~77°F (0~25°C) Less than 3 months 23~95°F (-5~35°C)	60±25% Relative Humidity at Shipment Date
Specific Energy	44Wh/lb (97Wh/kg)	
Specific Density	121Wh/L	

Contact Information
www.power-sonic.com
DOMESTIC SALES

Tel: +1-619-661-2020

Fax: +1-619-661-3650

national-sales@power-sonic.com
CUSTOMER SERVICE

Tel: +1-619-661-2030

Fax: +1-619-661-3648

customer-service@power-sonic.com
TECHNICAL SUPPORT

Tel: +1-619-661-2020

Fax: +1-619-661-3648

support@power-sonic.com
INTERNATIONAL SALES

Tel: +1-650-364-5001

Fax: +1-650-366-3662

international-sales@power-sonic.com

CORPORATE OFFICE • 7550 Panasonic Way • San Diego, CA 92154 • USA • Tel: +1-619-661-2020 • Fax: +1-619-661-3650

0416 1M