

SWITCHES MINIATURE & TOGGLE

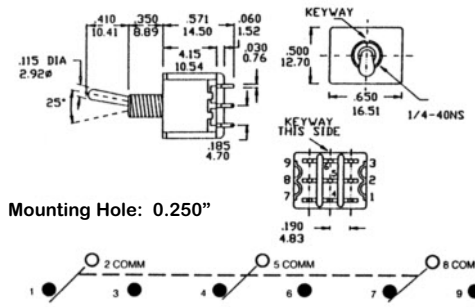
SPECIFICATIONS:

Current Rating:	5A @ 120V AC/28V DC, 2A @ 250V AC
Initial Contact Resistance:	2-4V DC 1A 10m ohm
Insulation Resistance:	1000 Meg ohm (Min.)
Dielectric Strength:	1000V RMS @ Sea Level
Contact Material:	Coin Silver - Silver Plate
Terminal Material:	Brass - Silver Plate
Terminal Type:	Solder

Part No.	Type	Action		Actuator
30-10022	3PDT	ON	- ON	Metal
30-10024	3PDT	ON	OFF ON	Metal
30-10026	3PDT	(ON)	OFF (ON)	Metal
30-10028	3PDT	ON	OFF (ON)	Metal
Terminal Connection	2-3, 5-6, 8-9	Open	2-1, 5-4, 8-7	

NOTE: () = Momentary

MINIATURE TOGGLE SWITCHES - 3PDT



Mounting Hole: 0.250"



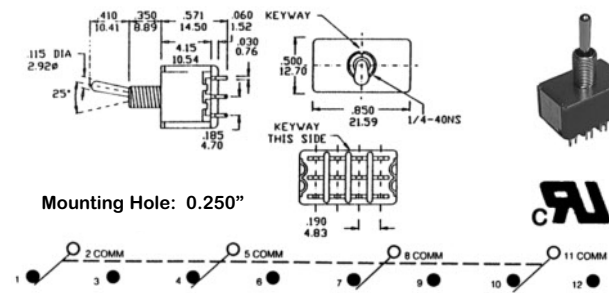
CAUS

MINIATURE TOGGLE SWITCHES - 4PDT

SPECIFICATIONS:

Current Rating:	5A @ 120V AC/28V DC, 2A @ 250V AC
Initial Contact Resistance:	2-4V DC 1A 10m ohm
Insulation Resistance:	1000 Meg ohm (Min.)
Dielectric Strength:	1000V RMS @ Sea Level
Contact Material:	Coin Silver - Silver Plate
Terminal Material:	Brass - Silver Plate
Terminal Type:	Solder

Part No.	Type	Action		Actuator
30-10032	4PDT	ON	OFF ON	Metal
30-10034	4PDT	ON	- ON	Metal
Terminal Connection	2-3, 5-6, 8-9, 11-12	Open	2-1, 5-4, 8-7, 11-10	



Mounting Hole: 0.250"



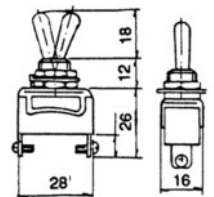
CAUS

SPECIFICATIONS:

Current Rating:	15A @ 125/250V AC
Initial Contact Resistance:	50 Meg ohm
Insulation Resistance:	100 Meg ohm (Min.) @ 500V DC
Dielectric Strength:	1000V AC 50/60 Hz for 1 minute
Contact Material:	Brass - Nickel Plated
Terminal Material:	Brass - Nickel Plated
Actuator Type:	Metal

Part No.	Type	Action		Actuator
30-1100	SPST	ON	- OFF	Solder
30-1104	SPST	ON	- OFF	Screw
30-1110	SPDT	ON	- ON	Solder
30-1114	SPDT	ON	- ON	Screw
30-1120	SPDT	ON	OFF ON	Solder
30-1124	SPDT	ON	OFF ON	Screw

SPST & SPDT STANDARD SIZE TOGGLE SWITCHES



Screw Terminal Solder Terminal

Mounting Hole: 0.500"



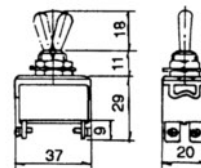
CE

SPECIFICATIONS:

Current Rating:	15A @ 125/250V AC
Initial Contact Resistance:	50 Meg ohm (Max.)
Insulation Resistance:	100 Meg ohm (Min.) @ 500V DC
Dielectric Strength:	1000V AC 50/60 Hz for 1 minute
Contact Material:	Brass - Nickel Plated
Terminal Material:	Brass - Nickel Plated
Actuator Type:	Metal

Part No.	Type	Action		Actuator
30-1130	DPST	ON	- OFF	Solder
30-1134	DPST	ON	- OFF	Screw
30-1140	DPDT	ON	- ON	Solder
30-1144	DPDT	ON	- ON	Screw
30-1150	DPDT	ON	OFF ON	Solder
30-1154	DPDT	ON	OFF ON	Screw

DPST & DPDT STANDARD SIZE TOGGLE SWITCHES



Screw Terminal Solder Terminal

Mounting Hole: 0.500"



CE