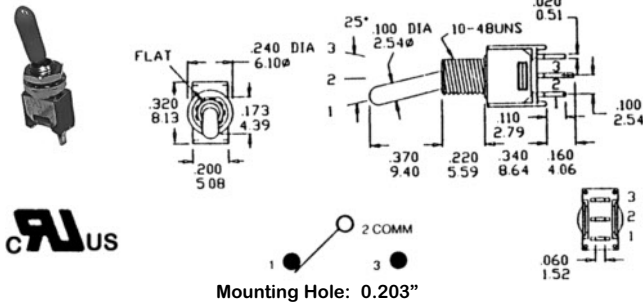


# SWITCHES SUB-MINIATURE & MINIATURE TOGGLE

## SUB-MINIATURE TOGGLE SWITCHES - SPST & SPDT



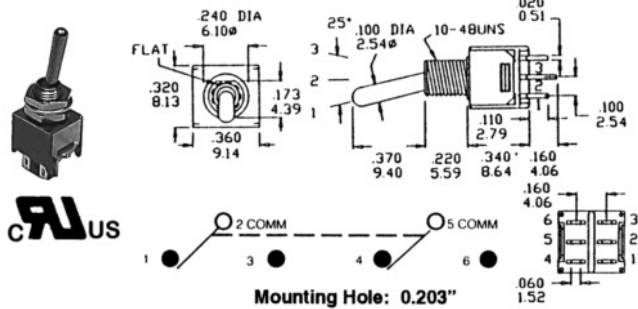
### SPECIFICATIONS:

Current Rating:	3A @ 120V AC, 28V DC
Initial Contact Resistance:	2-4V DC 1A 10m ohm
Insulation Resistance:	1000 Meg ohm (Min.)
Dielectric Strength:	1000V RMS @ Sea Level
Contact Material:	Coin Silver - Silver Plate
Terminal Material:	Brass - Silver Plate
Terminal Type:	Solder

Part No.	Type	Action			Actuator
30-10030	SPST	ON	-	OFF	Metal
30-10042	SPDT	ON	-	ON	Metal
30-10044	SPDT	ON	OFF	ON	Metal
30-10046	SPDT	ON	-	(ON)	Metal
Terminal Connection	2-3	Open	2-1		

NOTE: ( ) = Momentary

## SUB-MINIATURE TOGGLE SWITCHES - DPDT



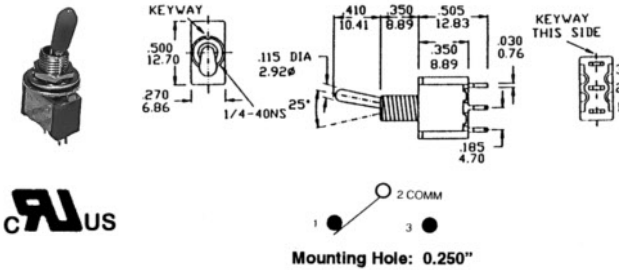
### SPECIFICATIONS:

Current Rating:	3A @ 120V AC, 28V DC
Initial Contact Resistance:	2-4V DC 1A 10m ohm
Insulation Resistance:	1000 Meg ohm (Min.)
Dielectric Strength:	1000V RMS @ Sea Level
Contact Material:	Coin Silver - Silver Plate
Terminal Material:	Brass - Silver Plate
Terminal Type:	Solder

Part No.	Type	Action			Actuator
30-10048	DPDT	ON	-	ON	Metal
30-10050	DPDT	ON	OFF	ON	Metal
30-10052	DPDT	ON	-	(ON)	Metal
Terminal Connection	2-3, 5-6	Open	2-1, 5-4		

NOTE: ( ) = Momentary

## MINIATURE TOGGLE SWITCHES - SPST & SPDT



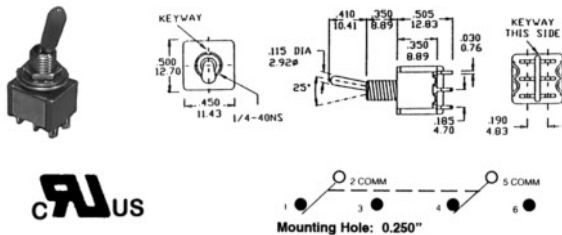
### SPECIFICATIONS:

Current Rating:	5A @ 120V AC/28V DC, 2A @ 250V AC
Initial Contact Resistance:	2-4V DC 1A 10m ohm
Insulation Resistance:	1000 Meg ohm (Min.)
Dielectric Strength:	1000V RMS @ Sea Level
Contact Material:	Coin Silver - Silver Plate
Terminal Material:	Brass - Silver Plate
Terminal Type:	Solder

Part No.	Type	Action			Actuator
30-10002	SPDT	ON	-	ON	Metal
30-10004	SPDT	ON	-	(ON)	Metal
30-10006	SPDT	ON	OFF	ON	Metal
30-10007	SPST	ON	-	OFF	Metal
30-10008	SPDT	(ON)	OFF	(ON)	Metal
30-10010	SPDT	ON	OFF	(ON)	Metal
Terminal Connection	2-3	Open	2-1		

NOTE: ( ) = Momentary

## MINIATURE TOGGLE SWITCHES - DPDT



### SPECIFICATIONS:

Current Rating:	5A @ 120V AC/28V DC, 2A @ 250V AC
Initial Contact Resistance:	2-4V DC 1A 10m ohm
Insulation Resistance:	1000 Meg ohm (Min.)
Dielectric Strength:	1000V RMS @ Sea Level
Contact Material:	Coin Silver - Silver Plate
Terminal Material:	Brass - Silver Plate
Terminal Type:	Solder

Part No.	Type	Action			Actuator
30-10012	DPDT	ON	-	ON	Metal
30-10014	DPDT	ON	-	(ON)	Metal
30-10016	DPDT	ON	OFF	ON	Metal
30-10018	DPDT	(ON)	OFF	(ON)	Metal
30-10020	DPDT	ON	OFF	(ON)	Metal
30-090*	DPDT	ON	ON	ON	Metal
Terminal Connection	2-3, 5-6	Open	2-1, 5-4		
30-090*	2-3, 5-6	2-3, 5-4	2-1, 5-4		

NOTE: ( ) = Momentary