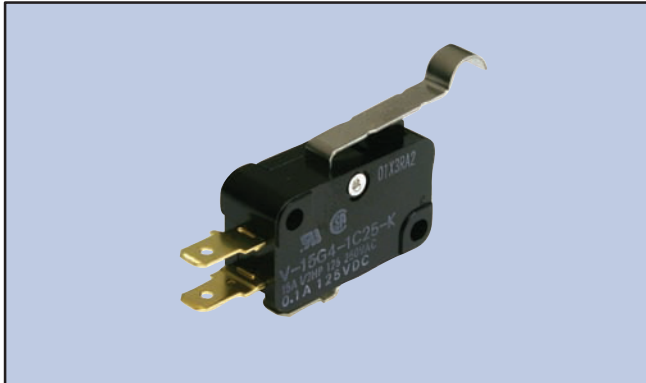


Snap Action, Standard

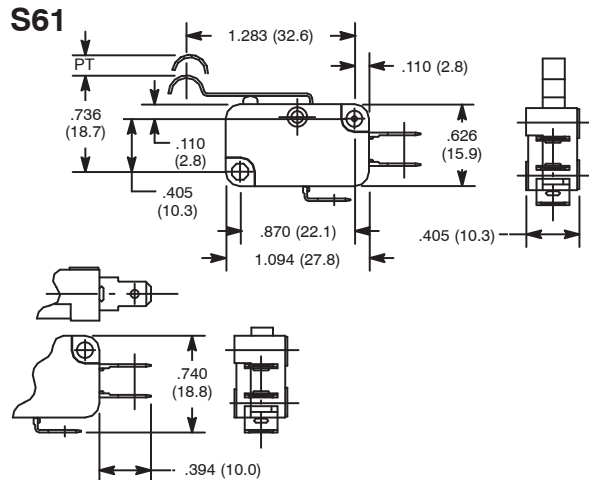


Features

- Actuator: Simulated Roller Lever



NTE Type No.	Circuitry	Max. Pre-Travel	Min. Over Travel	Max. Operating Force	Max. Differential	Diag No.
54-402	SPDT	0.13"	0.09"	125g	0.03"	S61
54-422	SPDT	0.13"	0.09"	60g	0.03"	S61



Quick Connect Terminals

Specifications

Current Rating: 15A 250VAC, 0.1A 125VDC (54-402)
10A 250VAC, 0.1A 125VDC (54-422)

Contact Resistance: 15 Milliohms (15A); 30 Milliohms (10A)(max.) initial

Insulation Resistance: 100 Megohms at 500VDC

Dielectric Strength: 1000VAC between non-continuous terminals

Temperature Rating: -13° to +176°F (-25° to +80°C)

Electrical Life: 100,000 (15A); 300,000 (10A) cycles min. (under rated load)

Mechanical Life: 50,000,000 cycles min.

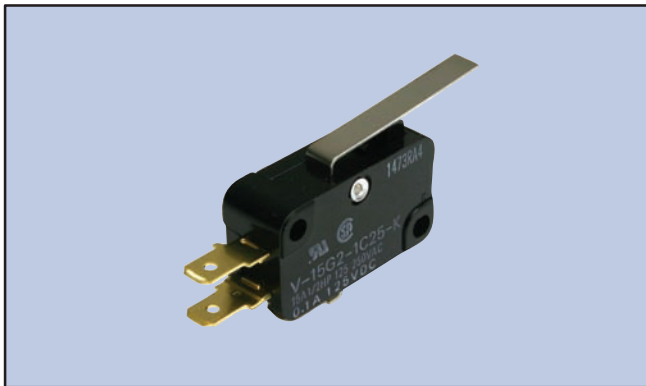
Terminal Type: .187" Quick Connect Terminals

Snap Action, Standard

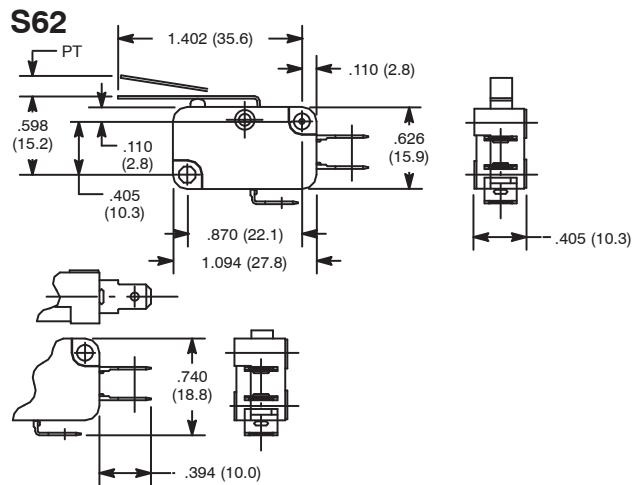


Features

- Actuator: Hinge Lever



NTE Type No.	Circuitry	Max. Pre-Travel	Min. Over Travel	Max. Operating Force	Max. Differential	Diag No.
54-403	SPDT	0.13"	0.09"	125g	0.03"	S62
54-414	SPDT	0.13"	0.09"	60g	0.03"	S62



Quick Connect Terminals

Specifications

Current Rating: 15A 250VAC, 0.1A 125VDC (54-403)
10A 250VAC, 0.1A 125VDC (54-414)

Contact Resistance: 15 Milliohms (max.) initial

Insulation Resistance: 100 Megohms at 500VDC

Dielectric Strength: 1000VAC between non-continuous terminals

Temperature Rating: -13° to +176°F (-25° to +80°C)

Electrical Life: 100,000 cycles min. (under rated load)

Mechanical Life: 50,000,000 cycles min.

Terminal Type: .187" Quick Connect Terminals