

Round Hole Rocker, Square Bezel



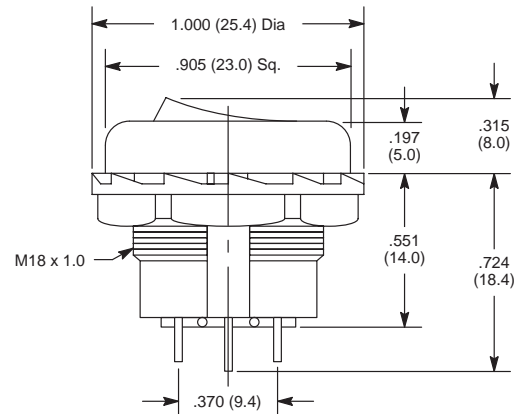
Features

- Single & Double Pole Types



NTE Type No.	Circuitry	Action			Actuator	Legend	Diag No.
54-507	SPST	ON	NONE	OFF	Red Nylon	Yes	S92
54-508	SPDT	ON	NONE	ON	Red Nylon	No	S92
54-509	DPDT	ON	NONE	ON	Red Nylon	No	S92

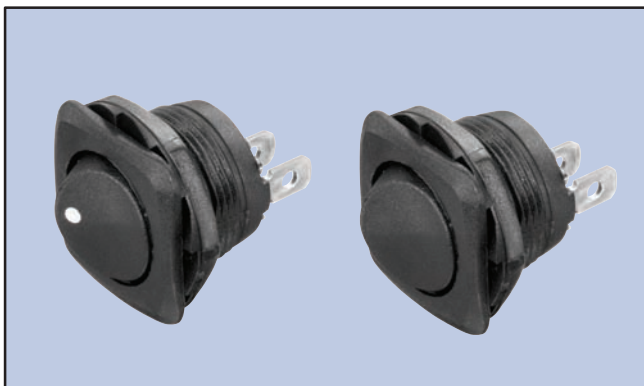
S92



Specifications

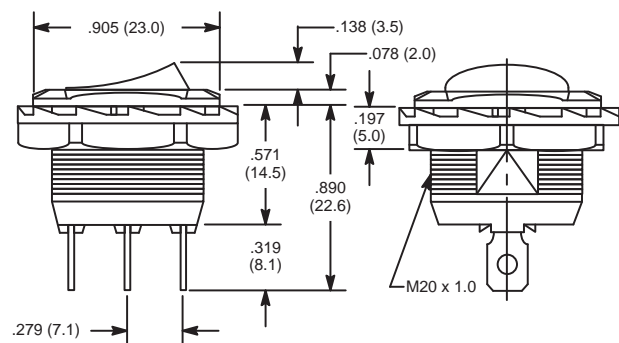
Current Rating: 10A 125VAC, 6A 250VAC
Insulation Resistance: 100 Megohms (min.) at 500VDC
Dielectric Strength: 1500V RMS (min.)
Temperature Rating: -4° to +149°F (-20° to +65°C)
Electrical Life: 6000 cycles (min.)
Mechanical Life: 100,000 cycles (min.)
Terminal Type: Solder Lug
Mounting Hole: .717 (18.2)

Round Hole Rocker



NTE Type No.	Circuitry	Action			Actuator	Legend	Diag No.
54-510	SPST	ON	NONE	OFF	Nylon	Yes	S93
54-511	SPDT	ON	OFF	ON	Nylon	No	S93
54-512	SPDT	ON	NONE	ON	Nylon	No	S93
54-543	SPST	(ON)	NONE	OFF	Nylon	Yes	S93
54-544	SPST	ON	NONE	(OFF)	Nylon	Yes	S93
54-545	SPDT	ON	NONE	(ON)	Nylon	Yes	S93
54-546	SPDT	ON	OFF	(ON)	Nylon	Yes	S93
54-548	SPDT	(ON)	OFF	(ON)	Nylon	No	S93

S93



Specifications

Current Rating: 16A 125VAC, 10A 250VAC
Insulation Resistance: 100 Megohms (min.) at 500VDC
Dielectric Strength: 1500V RMS (min.)
Temperature Rating: -4° to +149°F (-20° to +65°C)
Electrical Life: 6000 cycles (min.)
Mechanical Life: 100,000 cycles (min.)
Terminal Type: .185" Tab Q.C.
Mounting Hole: .795 (20.2)

SPECIAL NOTE: () = Momentary Function