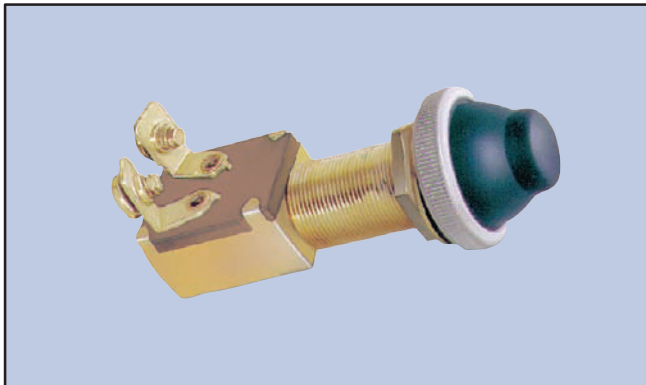


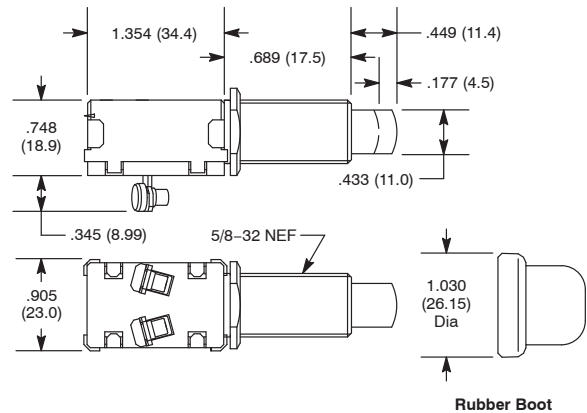
Pushbutton, Starter & Horn Button, Single Pole

Features

- Moisture Proof and Dust Proof Rubber Cap
- Starter and Horn Switch Applications



S91



NTE Type No.	Circuitry	Action		Actuator		Diag No.
				Material	Color	
54-577	SPST	OFF	(ON)	Nickel Plated Copper	Black	S91

SPECIAL NOTE: () = Momentary Function

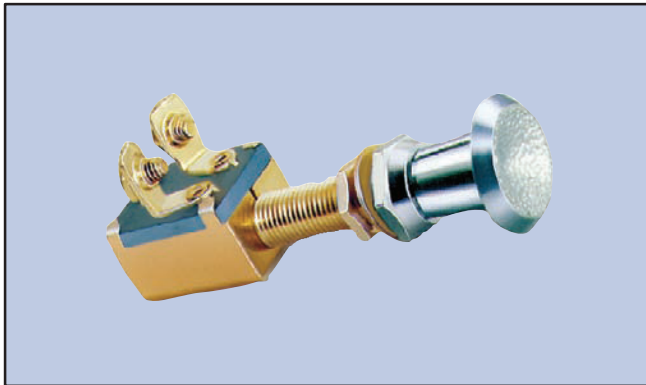
Specifications

Current Rating: 25A 6VDC, 15A 12VDC
Insulation Resistance: 100 Megohms (min.) at 500VDC
Dielectric Strength: 1500V RMS (min.)
Temperature Rating: +0° to +150°F (-18° to +65°C)
Electrical Life: 25,000 cycles
Mechanical Life: 1000,000 cycles
Terminal Type: Screw Terminals
Mounting Hole: .630 (16.0)

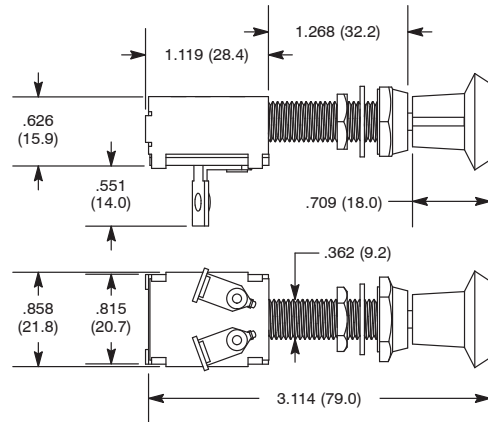
Push-Pull, Single Pole

Features

- Heavy Duty, 2-Position Push-Pull Switch
- Mounting Stem: 1 1/4" Long, 3/8" Diameter



S96



NTE Type No.	Circuitry	Action		Actuator		Diag No.
				Material	Color	
54-578	SPST	OFF	ON	Brass	Chrome	S96

Specifications

Current Rating: 25A 6VDC, 15A 12VDC
Insulation Resistance: 100 Megohms (min.) at 500VDC
Dielectric Strength: 1500V RMS (min.)
Temperature Rating: +0° to +150°F (-18° to +65°C)
Electrical Life: 30,000 cycles
Mechanical Life: 30,000 cycles
Terminal Type: Screw Terminals
Mounting Hole: .375 (9.52)