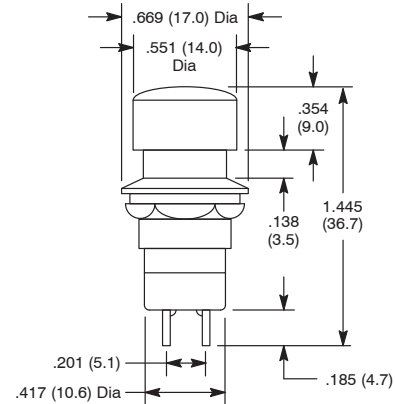


# Pushbutton, Single Pole



S75



NTE Type No.	Circuitry	Action		Actuator		Diag No.
				Material	Color	
54-392	SPST	OFF	ON	ABS Resin	White	S75

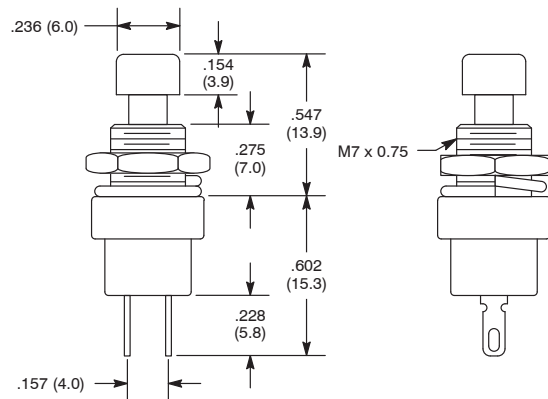
## Specifications

**Current Rating:** 3A 250VAC  
**Insulation Resistance:** 100 Megohms (min.)  
**Dielectric Strength:** 1500V RMS (min.)  
**Temperature Rating:** +14° to +131°F (-10° to +55°C)  
**Electrical Life:** 10,000 cycles  
**Mechanical Life:** 30,000 cycles  
**Terminal Type:** Solder Lug  
**Mounting Hole:** .480 (12.2)

# Pushbutton, Single Pole



S88



NTE Type No.	Circuitry	Action		Actuator		Diag No.
				Material	Color	
54-394	SPST	OFF	(ON)	Nylon	Red	S88

SPECIAL NOTE: ( ) = Momentary Function

## Specifications

**Current Rating:** 3A 250VAC, 1.5A 250VAC  
**Insulation Resistance:** 100 Megohms (min.) at 500VDC  
**Dielectric Strength:** 1000V RMS (min.)  
**Temperature Rating:** -4° to +149°F (-20° to +65°C)  
**Electrical Life:** 6000 cycles (min.)  
**Mechanical Life:** 100,000 cycles (min.)  
**Terminal Type:** Solder Lug  
**Mounting Hole:** .275 (7.0)