

Pushbutton, Single Pole

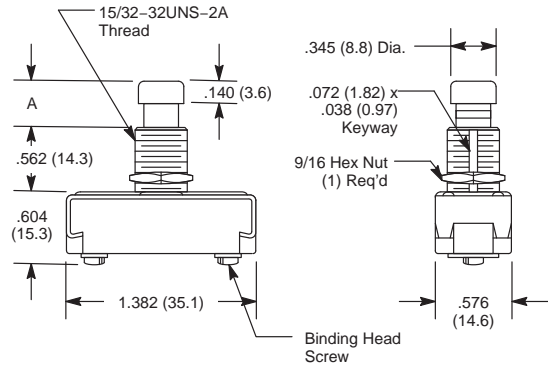


Features

- Momentary Action
- Slow Make, Slow Break Contacts



S120



Device Type	A
ON (OFF)	.240 (6.1)
OFF (ON)	.320 (8.1)

Specifications

Current Rating: 10A 250VAC, 15A 125VAC
Insulation Resistance: 100 Megohms (min.)
Dielectric Strength: 1000V RMS (min.)
Temperature Rating: +32° to +185°F (+0° to +85°C)
Electrical Life: 25,000 cycles
Mechanical Life: 100,000 cycles
Terminal Type: Screw Terminals
Mounting Hole: .500 (12.7)

NTE Type No.	Circuitry	Action		Actuator	Diag No.
54-650	SPST	ON	(OFF)	Brass/Nickel Plate	S120
54-651	SPST	OFF	(ON)	Brass/Nickel Plate	S120

NEW
NEW

SPECIAL NOTE: () = Momentary Function

Pushbutton Canopy Switch

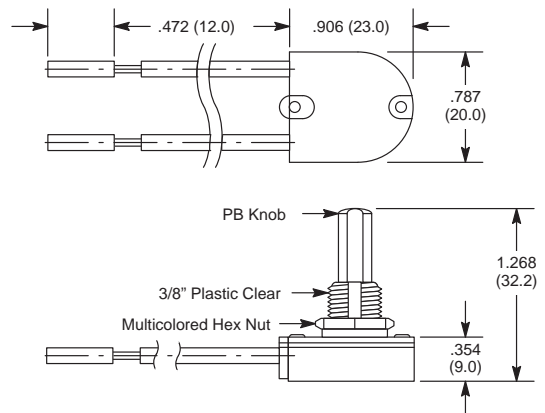


Features

- Single Circuit Canopy Switch
- Sequence – Load 1 On, Load 1 Off
- One-Piece Construction Eliminates the Need for a Hex Lock Nut



S121



Specifications

Current Rating: 3A 250VAC, 6A 125VAC, 6A 125VL
Insulation Resistance: 100 Megohms (min.)
Dielectric Strength: 1500V RMS (min.)
Temperature Rating: +32° to +185°F (+0° to +85°C)
Electrical Life: 6,000 cycles (min.)
Mechanical Life: 6,000 cycles (min.)
Terminal Type: 18 AWG, 6" length
Mounting Hole: .393 (10.0)

NTE Type No.	Circuitry	Action		Actuator	Diag No.
54-660	SPST	ON	OFF	3/8" Brass Plate	S121

NEW