

# Snap-In Nylon Illuminated Rocker



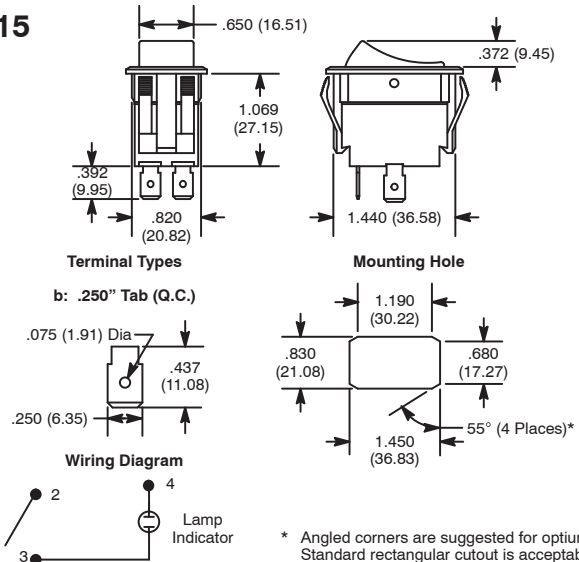
## Features

- AC Rated, Also Suitable for Low Voltage DC Applications



NTE Type No.	Circuitry	Action			Actuator		Lens Color	Diag No.
					Material	Color		
54-029	SPST	ON	NONE	OFF	Nylon	White	Green	S15b
54-053	SPST	ON	NONE	OFF	Nylon	Black	Amber	S15b

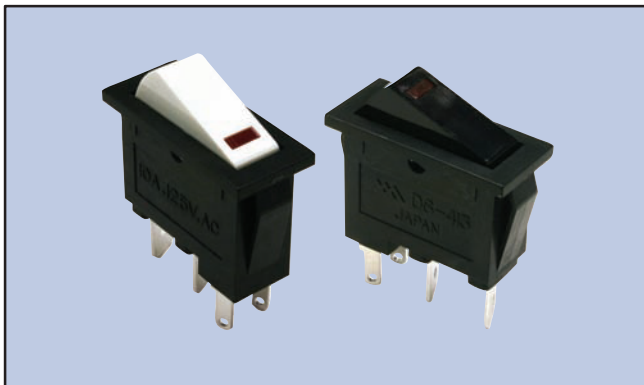
## S15



## Specifications

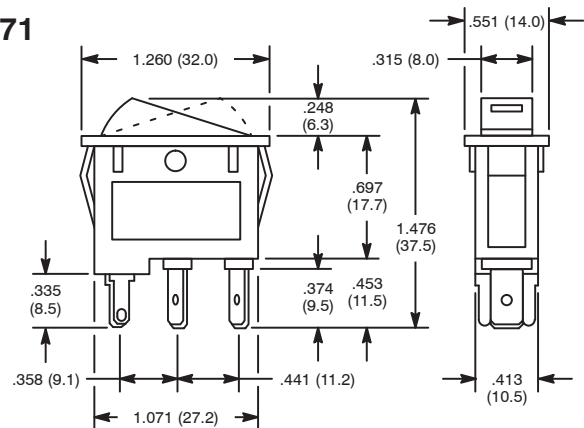
**Current Rating:** 15A 125VAC, 10A 250VAC, 1/2 HP 125-250VAC  
**Lamp Voltage:** 125V Neon (54-053), 18V Incandescent (54-029)  
**Insulation Resistance:** 100 Megohms (min.)  
**Dielectric Strength:** 1000V RMS (min.)  
**Temperature Rating:** +32° to +185°F (0° to +85°C)  
**Electrical Life:** 50,000 cycles  
**Mechanical Life:** 100,000 cycles  
**Terminal Type:** .250" Tab Q.C.  
**Mounting Hole:** 1.450 (36.83) x .830 (21.08)

# Snap-In Illuminated Rocker



NTE Type No.	Circuitry	Action			Actuator		Lens Color	Diag No.
					Material	Color		
54-386	SPST	ON	NONE	OFF	Polycarbonate	White	Red	S71
54-387	SPST	ON	NONE	OFF	Polycarbonate	Black	Red	S71

## S71



## Specifications

**Current Rating:** 10A 125VAC  
**Lamp Voltage:** 2.1V LED  
**Insulation Resistance:** 100 Megohms (min.) at 500VDC  
**Dielectric Strength:** 1000V RMS (min.)  
**Temperature Rating:** +14° to +131°F (-10° to +55°C)  
**Electrical Life:** 20,000 cycles  
**Mechanical Life:** 30,000 cycles  
**Terminal Type:** .250" Tab Q.C.  
**Mounting Hole:** 1.189 (30.2) x .433 (11.0)