

Illuminated Toggle Switches

Bat Handle w/Tri-Color LED Ring



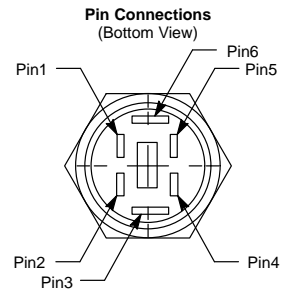
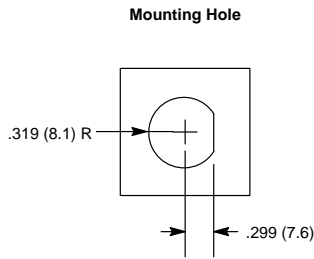
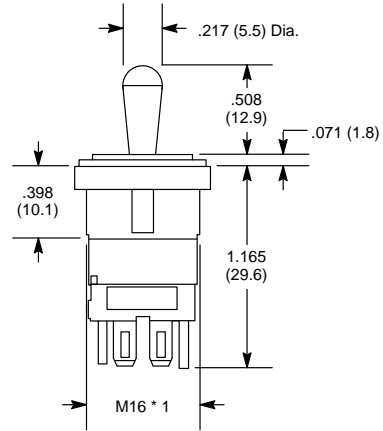
S150

Features

- IP67 Waterproof Rating
- Includes 6 (Red, Blue, Green, Yellow, Black, & White) Wires with Quick Connect Terminals



NTE Type No.	Circuitry	Action		Actuator			Diag No.	
				Material	Color			Vltg
					Neon	LED		
54-748	SPST	ON	OFF	PC	-	Red Green Blue	DC	S150



Pin #	Function
Pin1	LED (+)
Pin2	Blue LED (-)
Pin3	Switch (-)
Pin4	Green LED (-)
Pin5	Red LED (-)
Pin6	Switch (+)

Specifications

Current Rating: 20A 12VDC, 5A 250VAC

Lens Color: See Table

Lamp Voltage: 12V LED (DC)

Insulation Resistance: 100 Megohms

Temperature Rating: -13° to +131°F (-25° to +55°C)

Terminal Type: .250" Tab Q.C.

Mounting Hole: .630 (16.0)