

# Toggle Switches

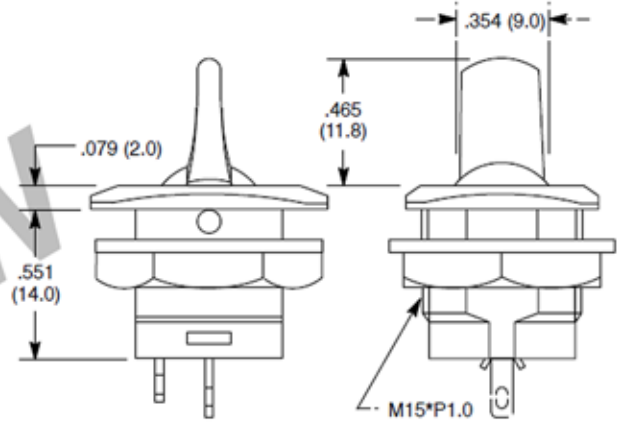
## Nylon Paddle



S129

### Features

- Solder Lug Terminals



NTE Type No.	Circuitry	Action			Actuator	Diag No.
		ON	NONE	ON		
54-723	SPDT	ON	NONE	ON	Black Nylon	S129
54-724	SPST	OFF	NONE	ON	Black Nylon	S129
54-725	SPDT	ON	OFF	ON	Black Nylon	S129
54-726	SPDT	(ON)	NONE	ON	Black Nylon	S129

SPECIAL NOTE: ( ) = Momentary Function

## Specifications

**Current Rating:** 6A 125VAC, 3A 250VAC

**Insulation Resistance:** 100 Megohms (min.) at 500VDC

**Dielectric Strength:** 1000V RMS (min.)

**Temperature Rating:** +32° to +149°F (0° to +65°C)

**Electrical Life:** 6,000 cycles

**Mechanical Life:** 10,000 cycles

**Terminal Type:** Solder Lug

**Mounting Hole:** .590 (15.0)