

# Toggle Switches

## Paddle Handle

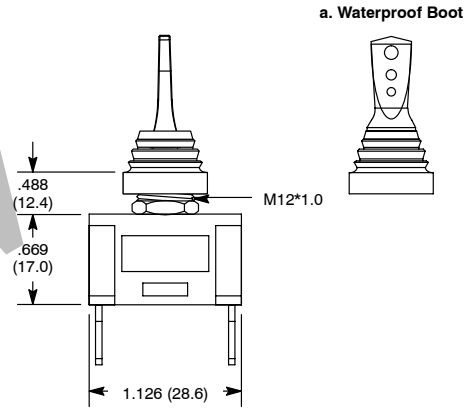
### Features

- Plastic Lever with Waterproof Boot



NTE Type No.	Circuitry	Action			Actuator	Diag No.
54-713	SPST	OFF	NONE	ON	Nickel Plated Brass	S132a

### S132



## Specifications

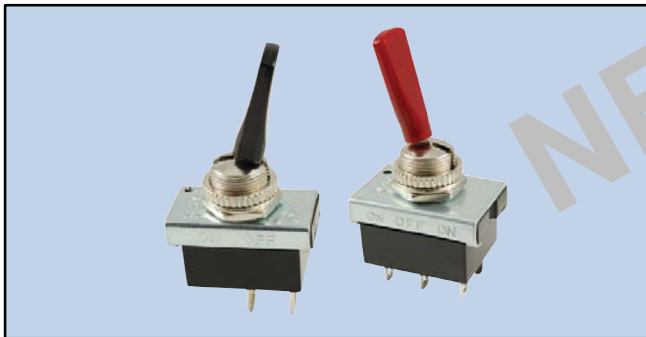
**Current Rating:** 10A 125VAC; 6A 250VAC  
**Insulation Resistance:** 100 Megohms (min.) at 500VDC  
**Dielectric Strength:** 1500V RMS (min.)  
**Temperature Rating:** -4° to +180°F (-20° to +85°C)  
**Electrical Life:** 6,000 cycles  
**Mechanical Life:** 10,000 cycles  
**Terminal Type:** .250" Tab Q.C.  
**Mounting Hole:** .480 (12.2)

## Paddle Handle



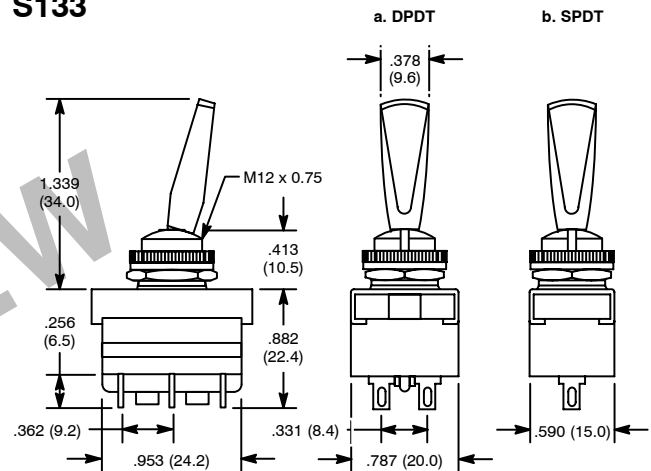
### Features

- Optional Indicator Plates Available:  
 54-925 Plate for 54-727  
 54-926 Plate for 54-728  
 54-927 Plate for 54-729 and 54-730



NTE Type No.	Circuitry	Action			Actuator	Diag No.
54-727	SPST	ON	NONE	OFF	Black ABS Resin	S133b
54-728	DPDT	ON	NONE	ON	Black ABS Resin	S133a
54-729	DPDT	ON	OFF	ON	Red ABS Resin	S133a
54-730	SPDT	ON	OFF	ON	Black ABS Resin	S133b

### S133



## Specifications

**Current Rating:** 10A 125VAC; 6A 250VAC  
**Insulation Resistance:** 100 Megohms (min.) at 500VDC  
**Dielectric Strength:** 1000V RMS (min.)  
**Temperature Rating:** +32° to +149°F (0° to +65°C)  
**Electrical Life:** 6,000 cycles  
**Mechanical Life:** 10,000 cycles  
**Terminal Type:** Solder Lug  
**Mounting Hole:** .480 (12.2)