



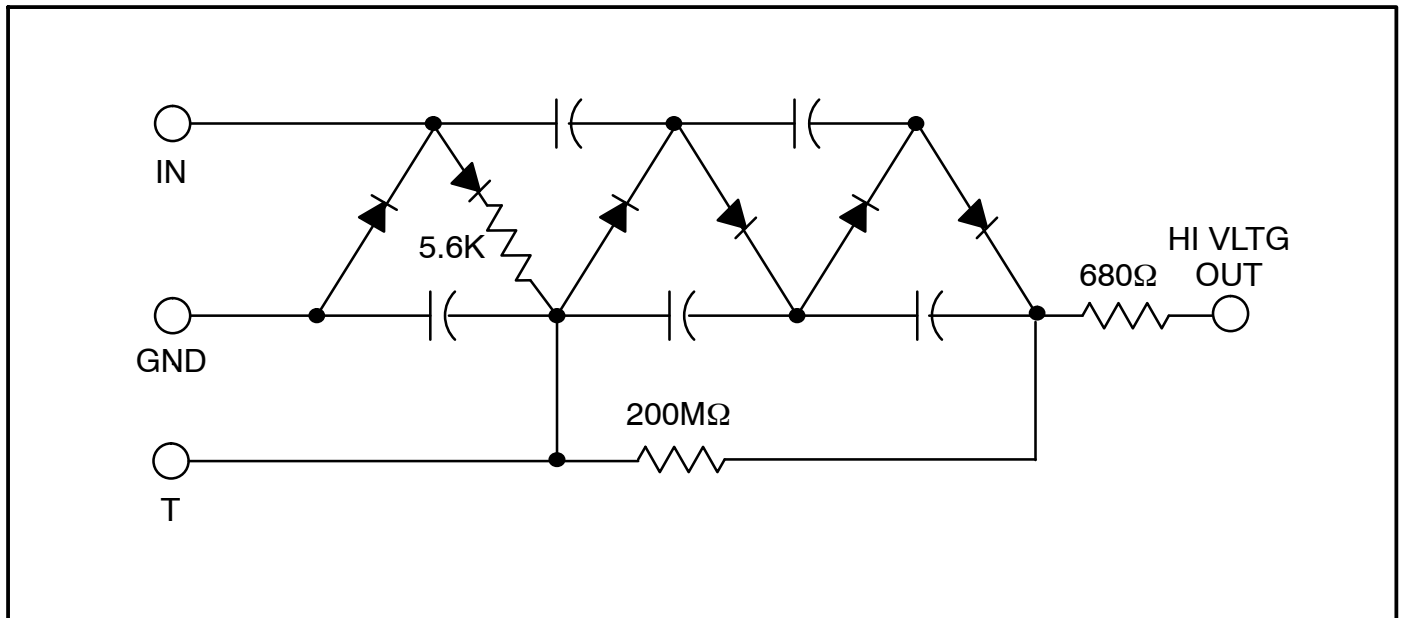
ELECTRONICS, INC.
44 FARRAND STREET
BLOOMFIELD, NJ 07003
(973) 748-5089
<http://www.nteinc.com>

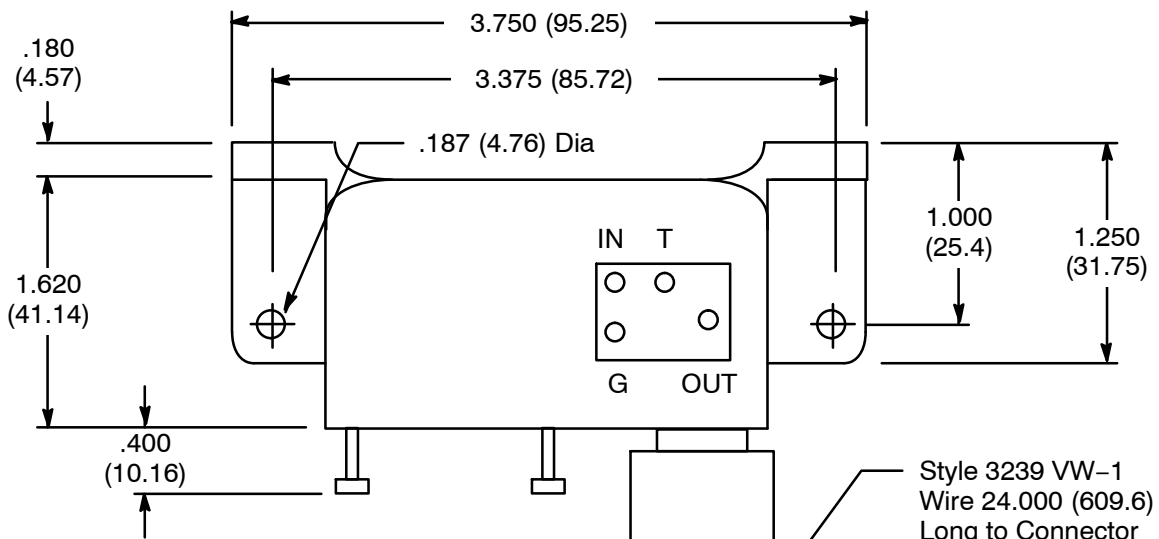
NTE565 High Voltage Multiplier 5-Step Silicon Tripler ^w/Damper Diode and Bleeder Resistor

Electrical Characteristics:

Input, Peak-to-Peak (No Load)	12kV
Maximum Continuous Output (at 2mA, No Load)	30kV
Output Lead Length	25 1/2 inches

Schematic:





Style 3239 VW-1
Wire 24.000 (609.6)
Long to Connector

