

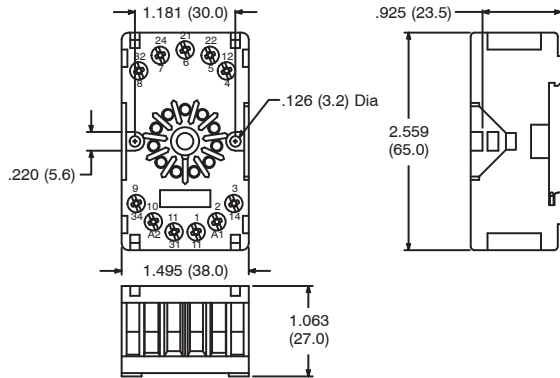
## R95-182

### Features

- DIN Rail Mount
- Finger Safe
- 3PDT Applications

### Electrical Rating:

300 Volts (UL Rating for US), 10 Amps



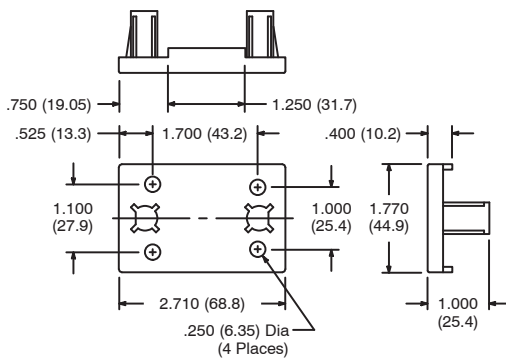
## 11-Pin Octal Socket



## R95-184

### Features

- Clear Polycarbonate
- For RS3 Type Relays



## Dust Cover, Plastic

