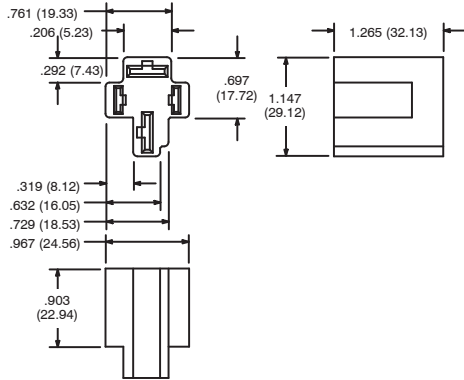


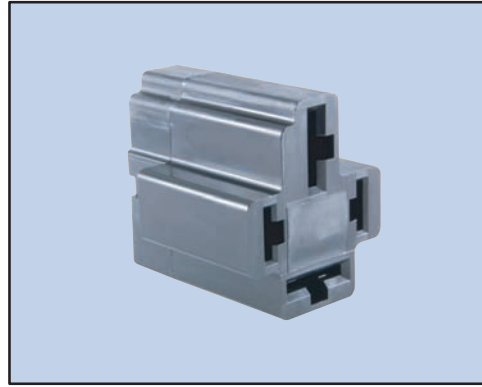
R95-160A

Features

- For R51 Series 70 Amp Automotive Relay
- Quick Connect Terminals supplied with socket



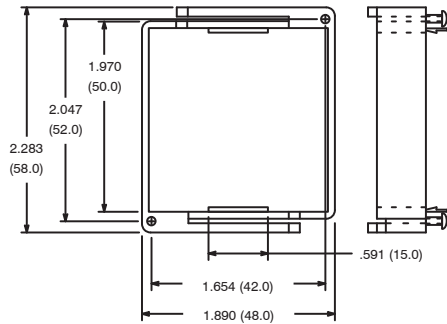
4-Pin Automotive High Current Socket



R95-161

For use with the following NTE types:

- R64 Series
- R65 Series



Panel Mount Bracket



R95-180

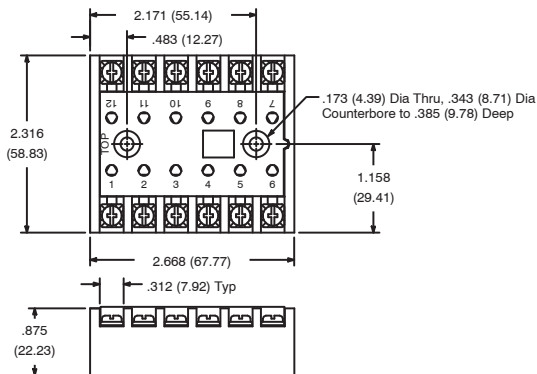


Features

- Surface Mount
- With Pressure Clamp Screws

Electrical Rating:

300Volts, 10 Amps



12-Pin Heavy Duty Socket

