

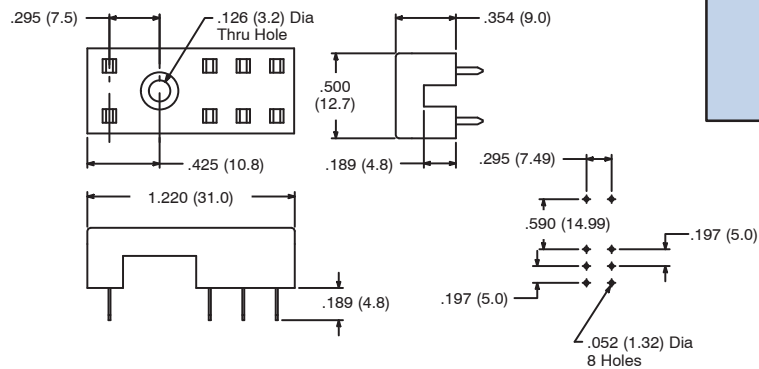
## R95-132

### Features

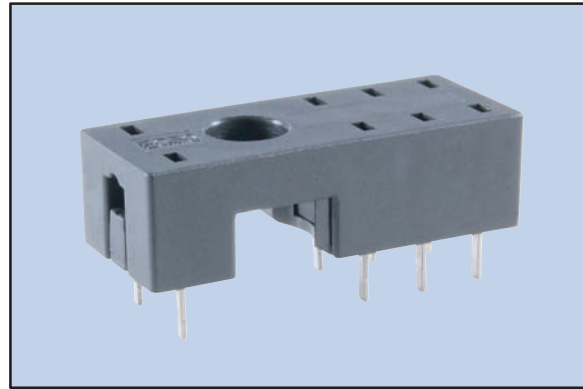
- PC Board Mount
- DPDT Applications

### Electrical Rating:

300 Volts, 12 Amps



## 8-Pin Slim Line Socket



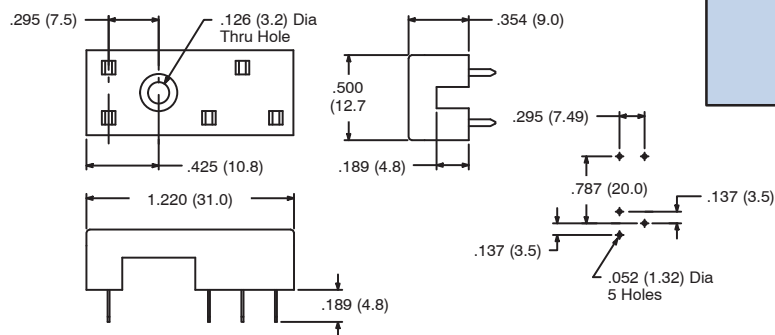
## R95-133

### Features

- PC Board Mount
- SPDT Applications

### Electrical Rating:

300 Volts, 12 Amps



## 5-Pin Slim Line Socket

