

PC Mount Relays

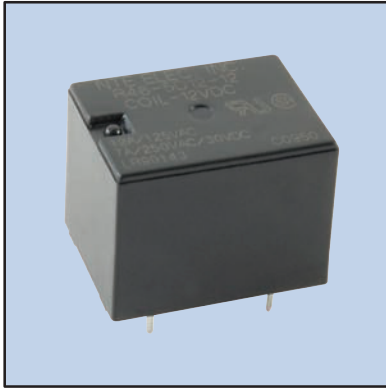
R46 Series



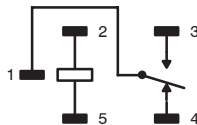
Features

- All Sealed and Resistant to Wave Soldering & Cleaning
- Low Profile
- Less than 0.53 Cubic Inches

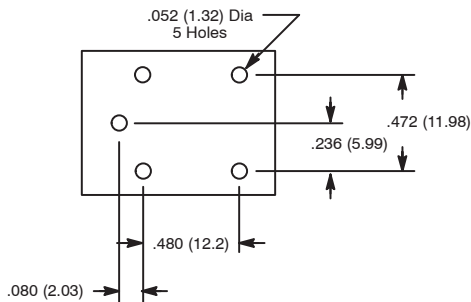
General Purpose, 5 and 12 Amp, DC SPDT Relays ideal for Security Equipment, Household Electrical Appliances, Garage Door Openers and Audio Equipment.



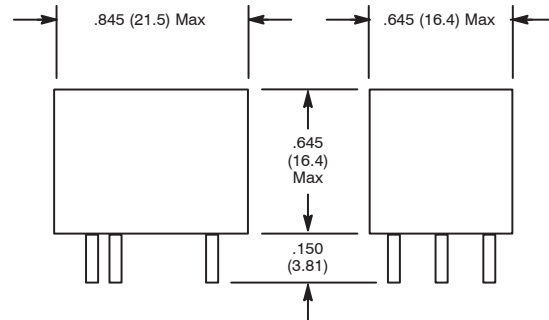
SPDT, 1 Form "C"



Mounting Holes (Bottom View)



D23



Electrical Specifications

Contact

Rating: 5A at 120VAC, 5A at 30VDC
12A at 120VAC

Material: AgCdO

Coil

Coil Voltages: See Chart

Pick-up Voltages: 75% of nominal DC

Drop-out Voltages: 10% min of rated voltage

Resistance: See Chart

Operational Characteristics

Timing Value: Operate Time: 10 mS max
Release Time: 10 mS max

Insulation Characteristics

Dielectric Strength

Between Coil & Contacts: 1500 VAC

Between Contacts of Same Polarity: 750 VAC

Resistance: 100 megohms min. @ 500 VDC

Environmental Characteristics

Operating: -40°C to +85°C

Life

Mechanical: 10,000,000 operations min

Weight

Std: 0.42 oz (12 grams) approx.

DC OPERATED

NTE Type No.	Nom. Volt.	Contact Arr.	Coil Res. Ohms (Typ)	Nom. Power	Max. Contact Cur. @ 30VDC or 120VAC	Diag No.
R46-5D3-12	12VDC	SPDT	400	360mW	5A	D23
R46-5D3-48	48VDC	SPDT	6400	360mW	5A	D23
R46-5D12-6	6VDC	SPDT	100	360mW	12A	D23
R46-5D12-12	12VDC	SPDT	400	360mW	12A	D23
R46-5D12-24	24VDC	SPDT	1600	360mW	12A	D23
R46-5D12-48	48VDC	SPDT	6400	360mW	12A	D23