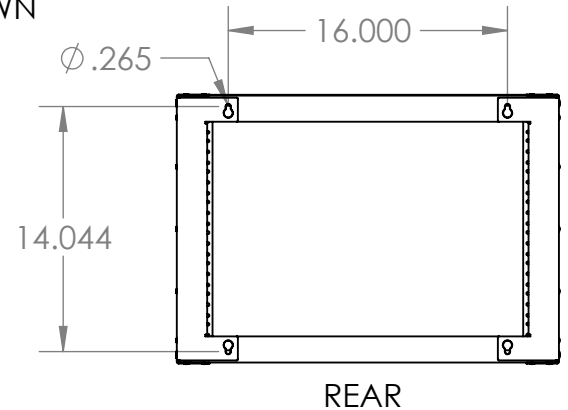
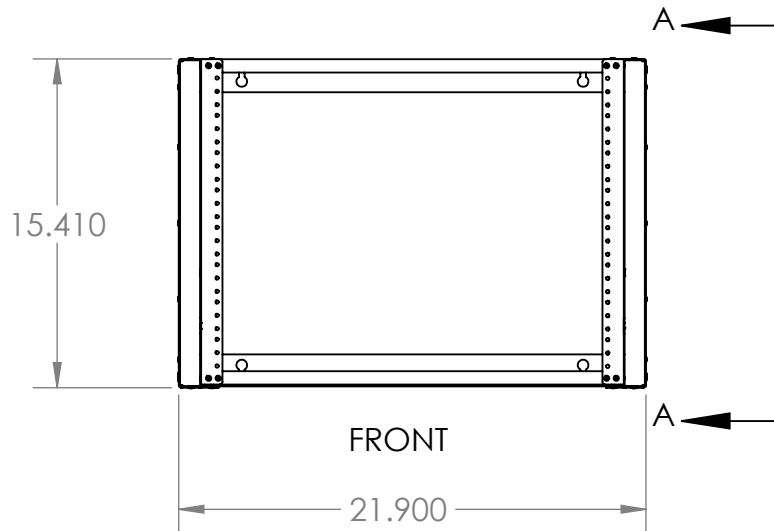


VIEW A-A
SCALE 1 : 9



NOTE:

1. 19" EIA RACK MOUNT COMPLIANT.
2. RAILS ARE THREADED 10-32
3. MAXIMUM COMPONENT DEPTH, WITHOUT CABLING, 12.00".
4. BLACK POWDER COAT.

UNLESS OTHERWISE SPECIFIED:
DIMENSIONS ARE IN INCHES
TOLERANCES:
FRACTIONAL ± 1/8
ANGULAR: BEND ± 1 DEGREE
TWO PLACE DECIMAL ± .03
THREE PLACE DECIMAL ± .01

Surface Area


MATERIAL

FINISH

APPLICATION

DO NOT SCALE DRAWING

	NAME	DATE
DRAWN	JL	3/12/2014
CHECKED		
ENG APPR.		
MFG APPR.		
Q.A.		
COMMENTS:		

KENDALL HOWARD 		
TITLE: 8U PIVOT FRAME WALL MOUNT RACK		
SIZE	DWG. NO.	REV
A	1915-3-400-08	-
SCALE: 1:10	WEIGHT: 14.60	SHEET 1 OF 1

PROPRIETARY AND CONFIDENTIAL
THE INFORMATION CONTAINED IN THIS DRAWING IS THE SOLE PROPERTY OF KENDALL HOWARD. ANY REPRODUCTION IN PART OR AS A WHOLE WITHOUT THE WRITTEN PERMISSION OF KENDALL HOWARD IS STRICTLY PROHIBITED.

WEB PRINT	
NEXT ASSY	USED ON
APPLICATION	