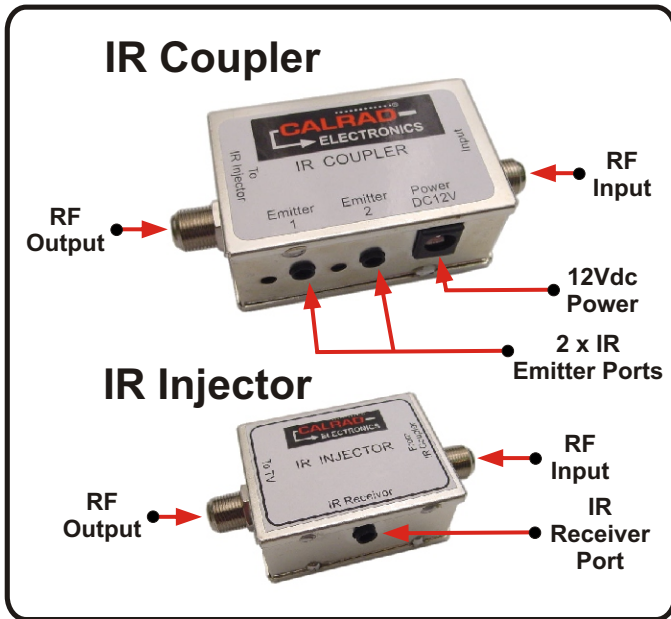


.....[®]
CALRAD
ELECTRONICS

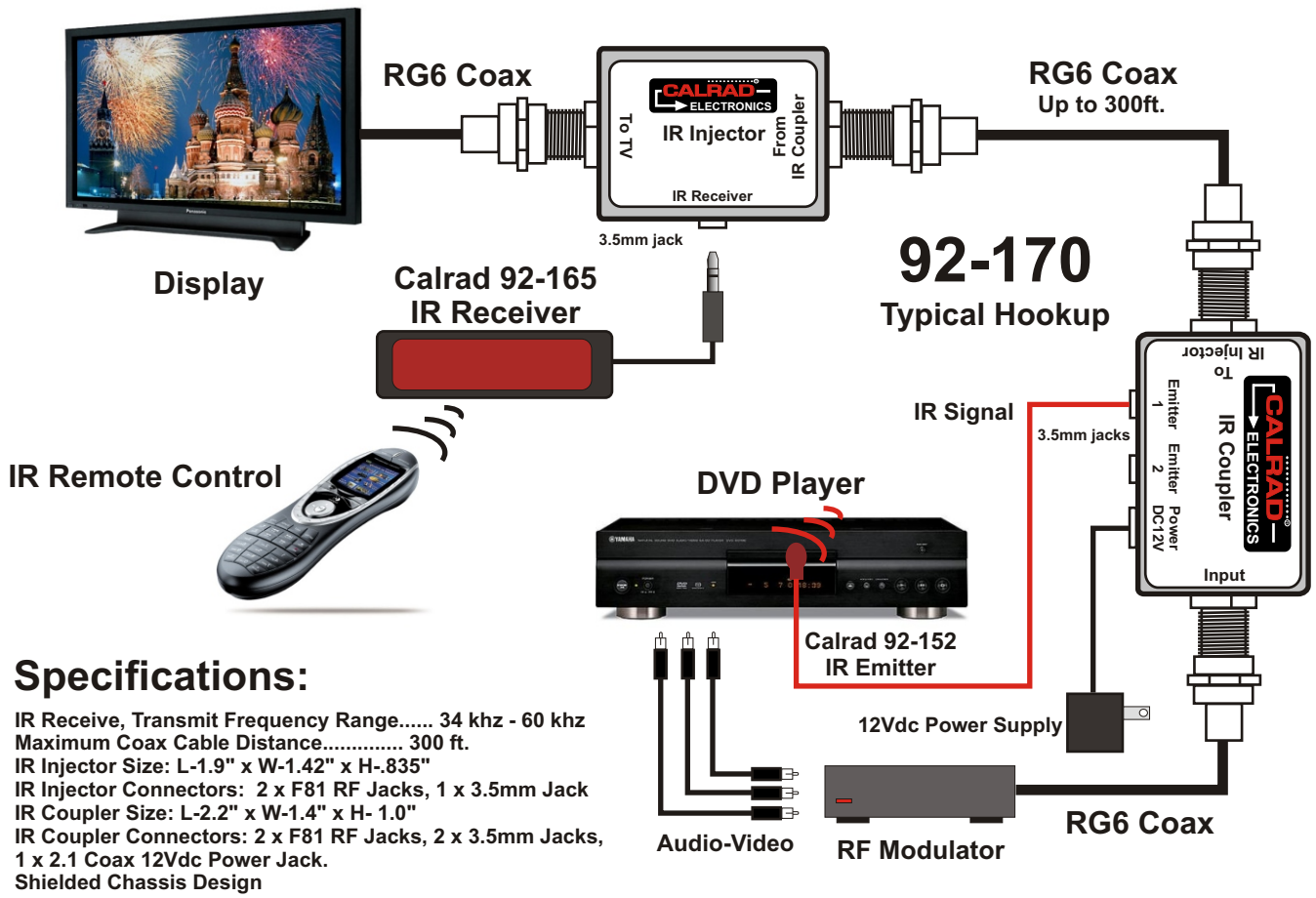
819 N. Highland Ave.
 Los Angeles, CA 90038

Tel (323) 465-2131, Fax (323) 465-3504
 Visit us on the web at www.calrad.com

New Part No. **92-170**
IR Distribution Over Coax
Injector-Coupler



Calrad's 92-170 IR injector and coupler system sends remote control signals to your satellite dish, cable box, or DVD using a standard IR remote, even if the component you wish to control is located in another room. The Calrad RF/IR Injector delivers your IR signals over a single coaxial cable up to 300 feet to the actual component. Attach Calrad's IR 92-165 receiver using the 3.5mm stereo mini plug to the RF/IR Injector, which attaches to your coax cable between the satellite or cable input and the television you'll be watching. The IR Signal Coax Cable Coupler extracts the IR commands on the other end and delivers them to the satellite dish or other component via a Calrad's 92-152 IR emitter. The IR Coupler/Injector are sold in pairs and the 92-165 IR receiver, 92-152 IR emitters are sold separately, as is a 12-Volt DC Power Supply, which is required to power the RF/IR Injector. There are several ways to use the 92-170 system, using coax only for the IR signal itself or with a CATV service or RF modulated system on the coax cable at the same time.



Specifications:

- IR Receive, Transmit Frequency Range..... 34 khz - 60 khz
- Maximum Coax Cable Distance..... 300 ft.
- IR Injector Size: L-1.9" x W-1.42" x H-.835"
- IR Injector Connectors: 2 x F81 RF Jacks, 1 x 3.5mm Jack
- IR Coupler Size: L-2.2" x W-1.4" x H- 1.0"
- IR Coupler Connectors: 2 x F81 RF Jacks, 2 x 3.5mm Jacks, 1 x 2.1 Coax 12Vdc Power Jack.
- Shielded Chassis Design