



Product Brochure \ Instructions



For technical assistance
call: 323-465-2131

Part No. **72-208**
8 Port, 60 Watt
PoE 100Mb
Network Switch
(Plug & Play)

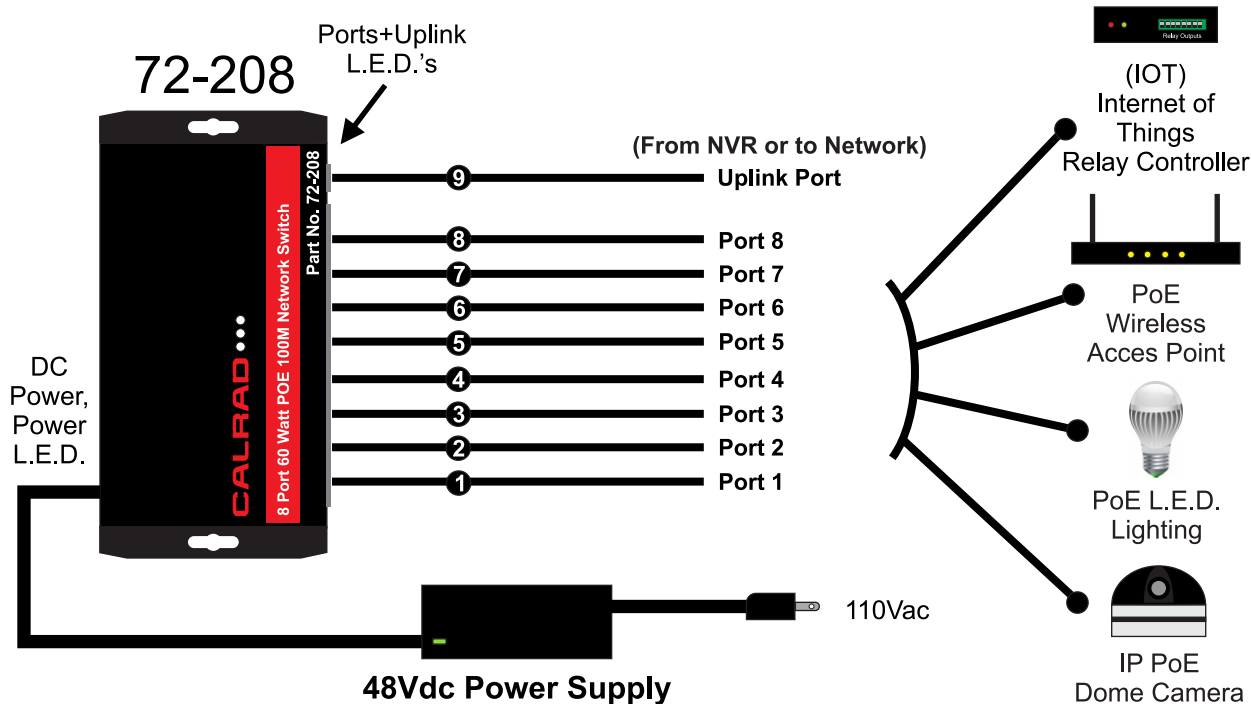


Features \ Technology

For all the latest product information visit our website at: www.calrad.com

Calrad 72-208, 8 Port, 60 Watt PoE 100Mb Network Switch: Provides power and network connectivity to IP Camera's, wireless access points, IP Phones, IOT devices, ID badge readers, security hardware, sensors, and other PoE equipment over your network. The four RJ-45 ports support auto negotiation, you can connect network products that support PoE 10/100-Mbps bandwidth or any device with standard network only communication. Vented rugged metal chassis for demanding applications.

Typical Hookup



Specifications

Ports: 9 x 10/100Mbps RJ45 Ports, 8 Ports POE, 1 Port Uplink
Network Speed: 10/100Mbps POE Ethernet port; Uplink port:10/100Mbps Ethernet port
Standards: IEEE 802.3u 100BASE-TX, IEEE 802.3 10BASE-T, IEEE 802.3at/af
POE Wattage: 60 watts Total, 7.5 Watts per port using all 8 ports or 4 ports at 15 Watts
POE 48Vdc Power Connectivity: Pins 4, 5 (+), Pins 7, 8 (-Gnd)
DC Power: 48Vdc, 3 Amps
Size: L-6" x W-4.5" x H-1"
Mounting: 2 x Tabs with .25" hole
Color: Black

Package Contents

1 x 72-208
 1 x Power Supply

72-208-10092017-WB