

For technical assistance call: 323-465-2131

## 45-609-HG-UL 12V, 29 Amp DC Power Supply

Efficient power distribution for  
all Calrad L.E.D. lighting products



Slim Line Chassis



UL Rated  
Power Supply

6ft. 3 Prong  
AC Cord  
(Included)

### Description

The Calrad 45-609-HG-UL 29 Amp 12Vdc power supply is used to provide power to all of Calrad's L.E.D. lighting products. This high capacity power supply is perfect for large scale applications with multiple L.E.D. controllers and many pieces of L.E.D. lighting hardware. Provides a single power source in stead of using multiple low capacity DC power supplies. Three position terminals for the V+ and V- 12Vdc output connections are available for various connectivity configurations. Built-in cooling fan to regulate air flow thru the metal chassis for added protection and reliability. Please read all information in the instructions for proper wiring and connectivity.

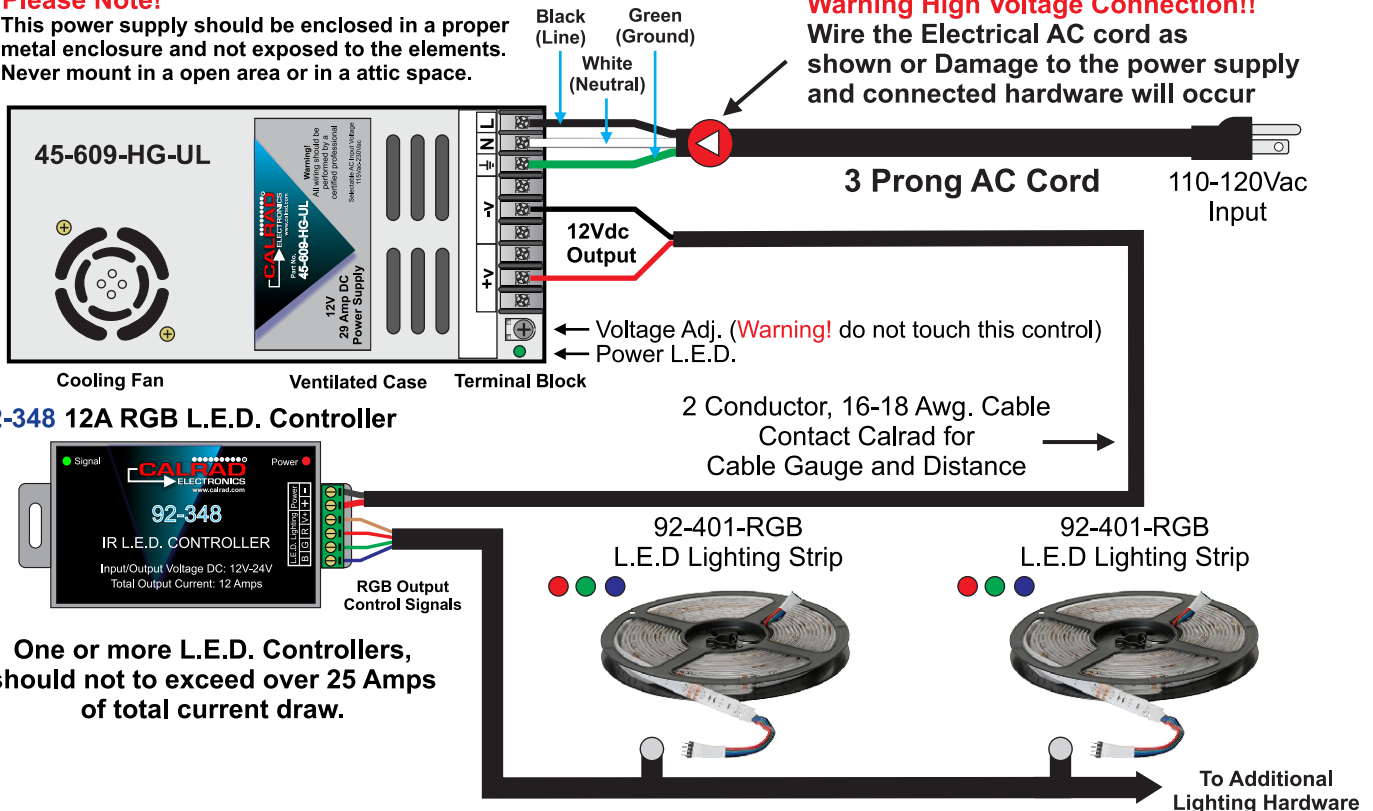
### Typical Hookup

#### Please Note!

This power supply should be enclosed in a proper metal enclosure and not exposed to the elements. Never mount in a open area or in a attic space.

#### Warning High Voltage Connection!!

Wire the Electrical AC cord as shown or Damage to the power supply and connected hardware will occur



One or more L.E.D. Controllers,  
should not to exceed over 25 Amps  
of total current draw.

### Specifications

- Input Voltage: 115-230Vac (Selectable, side of chassis)
- Input Termination: Terminal Block (3 terminals, Line, Neutral, Ground)
- Output Voltage: 12 Vdc
- Output Current: 29 Amps
- Output Termination: Terminal Block (3 Terminals +V), (3 Terminals -V)
- Over Voltage Protection: Yes
- Short Circuit Protection(Output): Yes
- Power Indicator: Green L.E.D.
- Chassis: Size: L - 8.5" x W - 4.5" x H - 1.15"
- Package Contents: 1 x 45-609-HG-UL, 1 x 6 ft. AC Power Cable

#### Warning!

All wiring should be performed  
by a qualified technician

40-609-HG-UL-02142017-WB

[www.calrad.com](http://www.calrad.com)