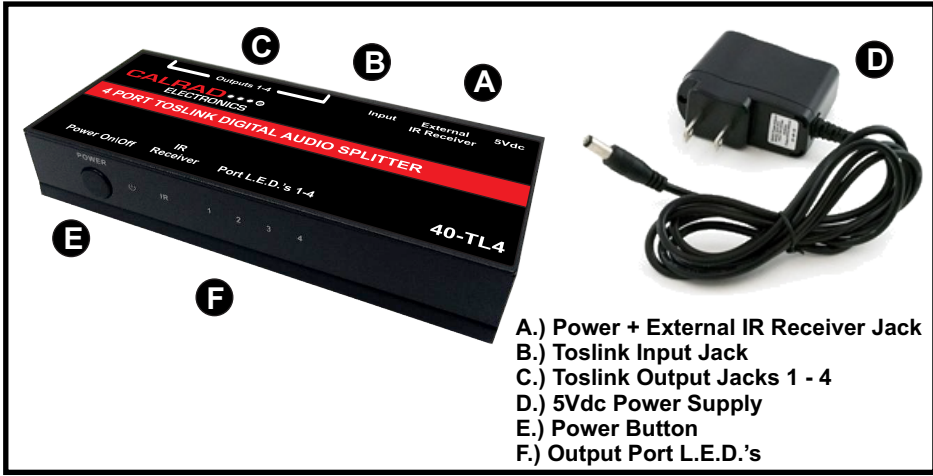


# Brochure\Instructions

**CALRAD** <sup>®</sup>  
**Electronics**

For technical assistance  
 call: 323-465-2131

## Part No. 40-TL4 4 Port Toslink Digital Audio Switcher \ Splitter



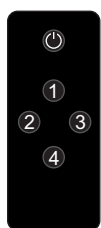
- A.) Power + External IR Receiver Jack
- B.) Toslink Input Jack
- C.) Toslink Output Jacks 1 - 4
- D.) 5Vdc Power Supply
- E.) Power Button
- F.) Output Port L.E.D.'s

### Features \ Technology For all the latest product information visit our website at: [www.calrad.com](http://www.calrad.com)

The Calrad **40-TL4** Active Toslink Digital Audio splitter provides a single Toslink source input. The signal is then split into 4 separate Optical Toslink outputs for distribution to individual Optical Toslink hardware, such as stereo receivers. Each toslink output can be turned on or off individually using the IR control or all ports on/off using the power button. The built-in lossless digital amplifier circuitry ensures loss-less signal integrity. Supports 2CH LPCM audio signals with sampling rates of 32khz - 192khz. Supports Dolby Digital and DTS audio formats. Simple plug and play connectivity. All settings remain intact after a loss of power.

### Typical Hookup

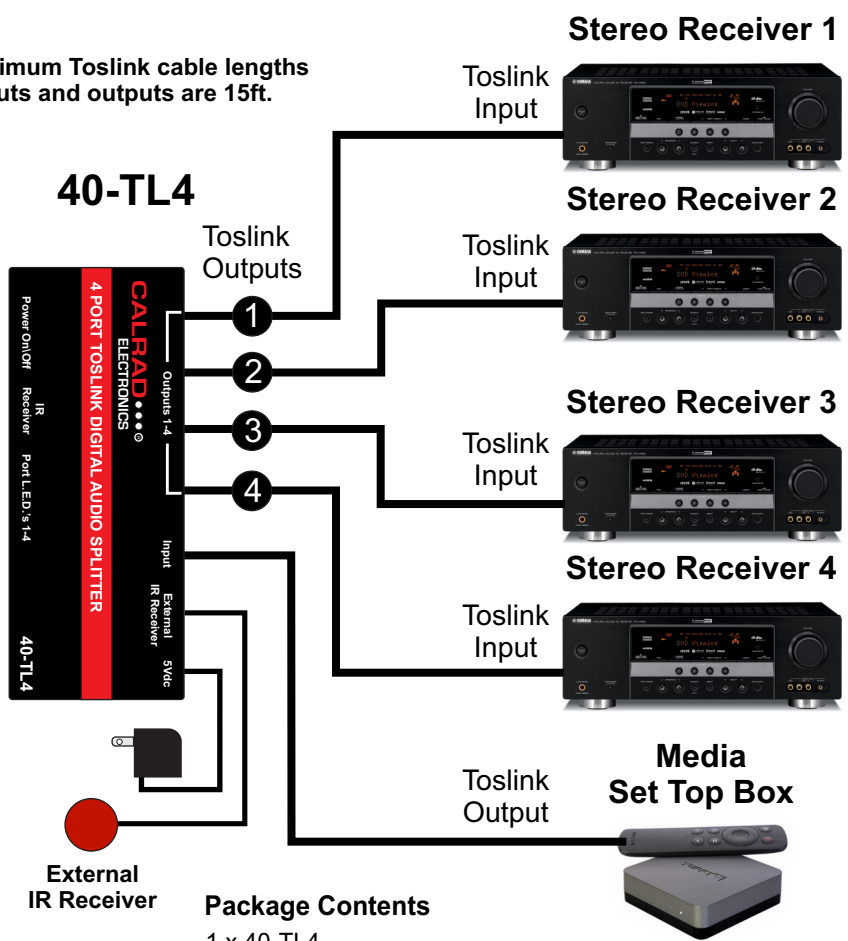
IR Remote



- Power Button
- Output On/Off Buttons

Note! Maximum Toslink cable lengths for inputs and outputs are 15ft.

- Power Button
- IR Receiver
- Output L.E.D. On/Off Indicators



### Specifications

- Audio Input:** 1 x Toslink Jacks (Optical Fiber)
- Audio Outputs:** 4 x Toslink Jacks (Optical Fiber)
- Sampling Rate:** 32-192Khz
- Audio Format:** LPCM 2CH, Dolby Digital, 2-5.1 CH, and DTS 2-5 Channels
- IR Remote:** 1 x Slim 5 Button
- External IR Receiver Jack:** 1 x 3.5mm (TRS)
- External IR Receiver:** 1 x IR Receiver, 3 ft. cable
- Power Indicator:** Red L.E.D.
- Power Jack:** 1 x Female DC Power Coax Jack (1.3mm)
- Power Source:** 1 x 5Vdc, 1Amp Power Supply
- IR Remote Battery:** CR2025
- Size:** L-4.3" W-1.93" x H-0.81"
- Chassis Material:** Metal
- Chassis Color:** Black

### Package Contents

- 1 x 40-TL4
- 1 x 5Vdc, 1A DC Power Supply
- 1 x External IR Receiver
- 1 x Instructions

40-TL4-07032019-WB