

●●●●●●●●●●[®]
CALRAD
Electronics

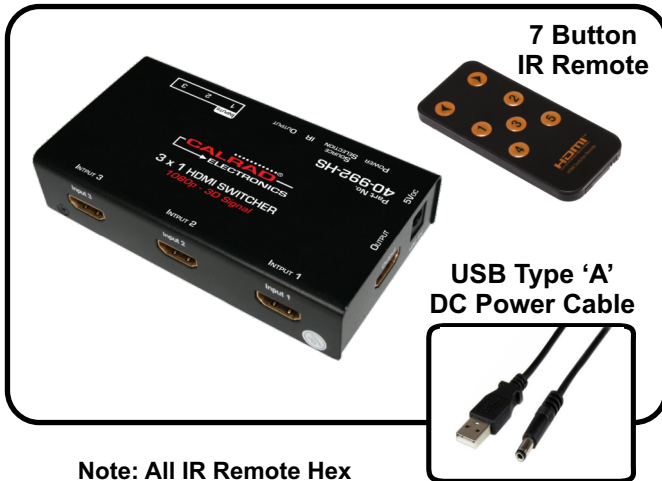
INTEGRATOR SERIES

For technical assistance call: **323-465-2131**
www.calrad.com

40-992-HS

**3 x 1, 1080P IR-Manual
HDMI Switcher**

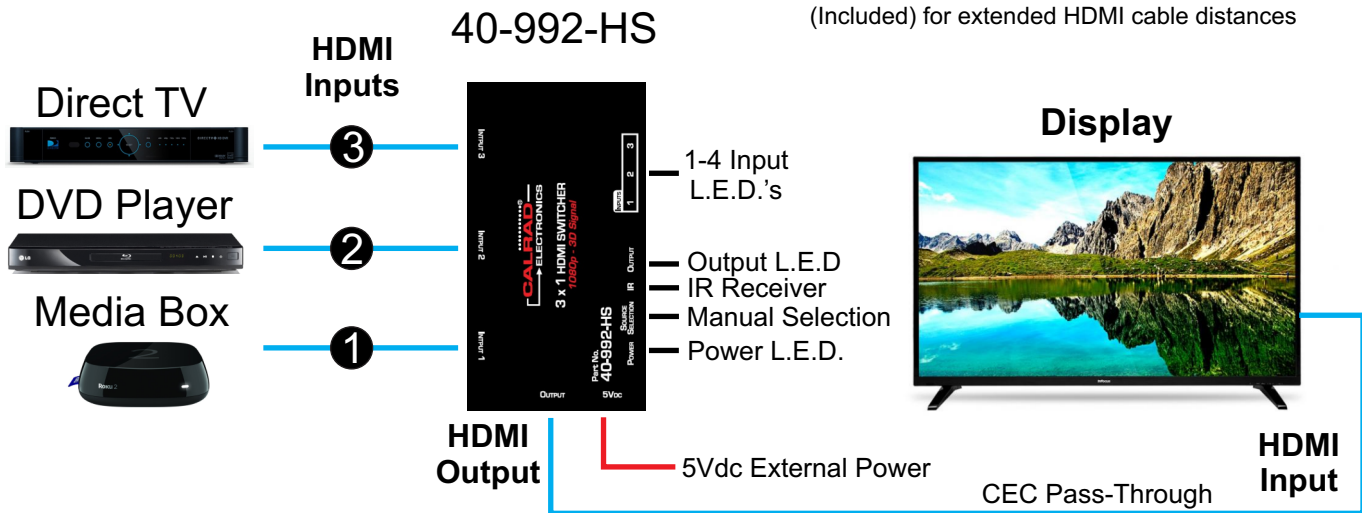
Brochure & Instruction Sheet



Note: All IR Remote Hex Codes are available at Calrad's website: www.calrad.com

FEATURES:

- Select one of 3 different HDMI signal input sources and switch to 1 HDMI display
- Manual or IR remote control to select input signals.
- Supports 30/36bit deep color display
- Supports High Definition Audio : Dolby TrueHD, DTS-HD Master Audio
- Auto Signal Enhancement circuitry can improve signal quality after long distance transmission
- Supports resolutions up to 1080p
- Supports 3D video format
- No DC power required, receives power from 1-3 HDMI input ports, external DC power jack is provided with USB type 'A' DC power cable (Included) for extended HDMI cable distances



SPECIFICATIONS:

- HDTV Resolutions: 1080p, 1080i, 720p, 480p
- Bandwidth: 6.75 Gbps (Maximum)
- Input: 3 x HDMI, Output: 1 x HDMI
- HDMI HIGH SPEED • CEC Pass Through
- Supports: 3D, HDCP, 12bit per channel (36bit all channels) deep color
- Audio Support: LPCM 7.1, DTS Digital, Dolby Digital, DTS-HD and Dolby True HD
- IR Remote: 7 Button 38Khz, Battery CR2025 button cell
- Operating Temperature: -41 to +95 °F (-5 to +35 °C)
- Operating Humidity: 5 to 90% RH (No Condensation)
- External Power Cable: 6 ft. USB Type 'A' to 2.1mm coax plug
- Chassis: Metal
- Dimensions: L-4.53" x W-2.44" x H-0.98"
- Weight: 7.34oz

External Power

This switcher is designed to work with DC power supplied from each individual HDMI source like Direct TV receivers, Bluray players, etc. with all cables under 15 ft. in length. In some situations and equipment configurations it may be necessary to use the external DC power jack with the supplied power to USB adapter cable. Power can be applied using an external USB 1A DC power supply available at most electronic retailers.

Please Note!

If you experience any technical issues with this product, please contact our technical support department: Hours M-F, 8:00am-4:00pm at 323-465-2131.

40-992-HS-11072016-WB