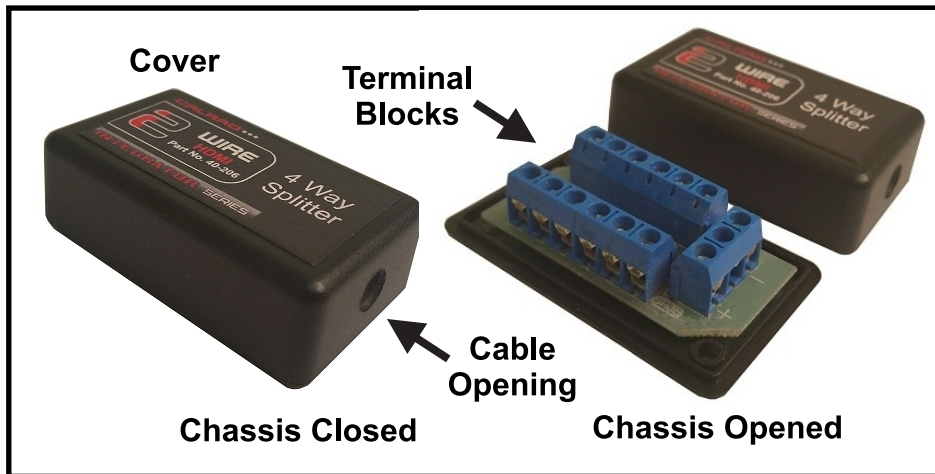


For technical assistance  
call: 323-465-2131

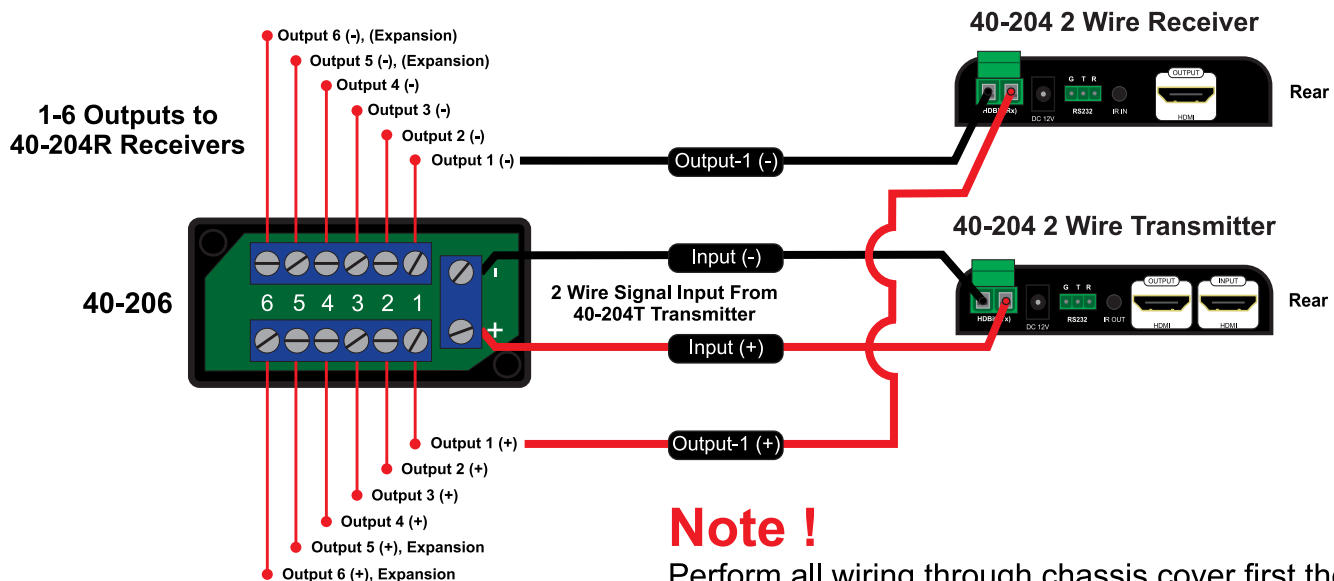
**Part No. 40-206**  
**2 Wire 4 Port**  
**Passive**  
**Signal Splitter**



## Features \ Technology For all the latest product information visit our website at: [www.calrad.com](http://www.calrad.com)

The Calrad 40-206 provides a simple low cost 4 way 2 Wire signal splitter solution for connecting a single 40-204 2 Wire HD transmitter and up to four, 2 Wire HD receivers for video distribution. Easily connect cabling to the miniature terminal blocks using a small phillips or slotted screw driver. Ports 1-4 are for standard 2 wire signal connectivity, ports 5-6 (expansion ports) are available for specific configurations, please consult Calrads tech support for further details. Easily mount the splitter with double stick adhesive tape, (Included) or easily attached to wiring harnesses or rack hardware by using velcro straps or cable ties. For more information on Calrads 2 Wire product line, please visit our website at [www.calrad.com](http://www.calrad.com).

## Typical Hookup (2 Wire Technology) Use a single pair of Cat5e or Cat6 wiring for 1080p video



### Note !

Perform all wiring through chassis cover first then connect wiring to terminal blocks, secure cover.

## Specifications

**Terminal Block Connectivity:** 1 x Input two terminals, 6 x Outputs, two terminals

**Terminal block wire gauge connectivity:** 18-24 Awg

**Screwdriver termination:** 2-3mm phillips, 2mm flat blade

**Signal Loss:** >.5db per port

**Mounting:** Double Stick Tape (Included)

**Size:** L-2.35" x W-1.37" x H-0.81"

**Color:** Black

40-206-09262017-WB