

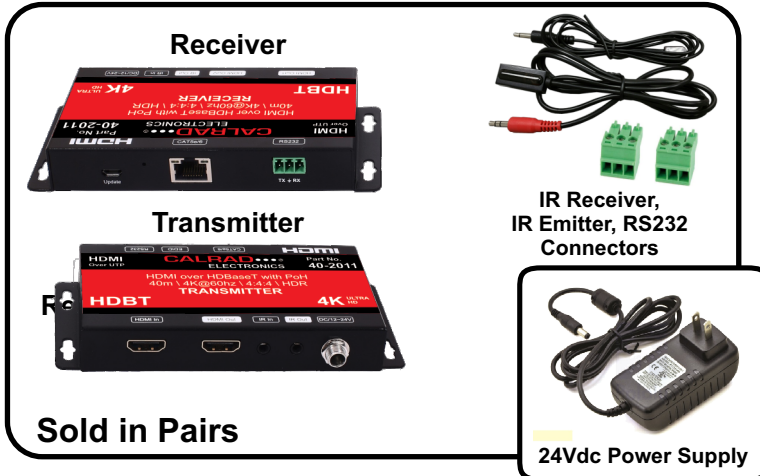
CALRAD Electronics

For technical assistance call: **323-465-2131**
www.calrad.com

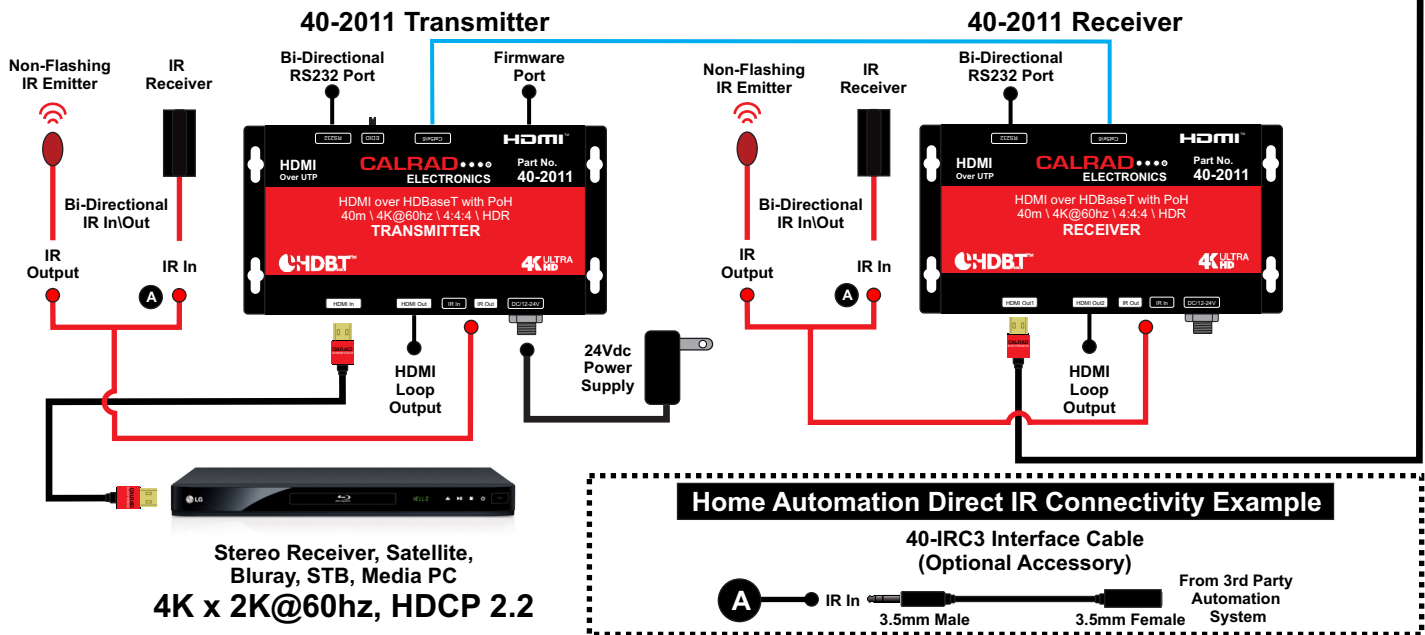
Brochure\Instructions **INTEGRATOR SERIES**

40-2011 **HDBaseT v1.0** **HDMI 4K x 2K \ 60hz (4:4:4)** **POH BALUN OVER** **SINGLE CAT5e/6 CABLE**

The 40-2011 HDBaseT v1.0 balun provides a single UTP category 5e/6 cable solution to deliver pristine digital signals from all HDTV formats and signal sources from 480i/p to 1080i/p, 4K x 2K. Bi-directional IR and RS232 support with dual POC power from transmitter or receiver. Option 1, 3rd party IR interface control and connectivity, send IR control signals from any 3rd party automation systems bi-directionally using Calrad's optional 40-IRC3 interface cable, see Reference (A) IR connectivity below. Option 2, stand alone IR receiver and emitter solution. L.E.D. indicators provide reference for Power, HDMI signal status, HDBaseT UTP cable signal reference.



Connectivity Diagram 1A.



Specifications

- **Resolutions:** 4K x 2K @ 60Hz, 3D@1080p, 1080i/p @ 24/50/60Hz, 720p, 480i/p
- **HDCP Support:** V1.4, V2.2, + YUV: 4:4:4
- **UTP Cable Distance:** CAT6 70M (229Ft.) at up to 1080p CAT6 40M (130Ft.) at 4K x 2K
- **Audio Support:** LPCM 7.1, DTS Digital, Dolby Digital, DTS-HD and Dolby True HD
- **IR Carrier Frequency:** 30Khz ~ 60Khz (Non-Flashing Emitter works with IR-UV STB)
- **IR Input/Output Connectors:** 2 x 3.5mm Mono Jacks each unit, IR In/Out
- **RS232 Protocol:** Supports Bi-Directional Transmission, 2400-115200 Baud
- **RS232 Input/Output:** 1 x 3 Position Phoenix Terminal Jack per unit
- **Firmware Upgrade Port:** 1 x Micro USB Jack
- **HDMI In/Out Connectors:** 19 pin Female Jack, 1 x RJ45 Shielded Jack each unit
- **IR Receiver IR Emitter Cable Length's:** 3 ft.
- **Power Input:** Transmitter side only
- **POH:** Power from TX to RX over Cat5e/6 cable
- **DC Power Supply:** 1 x 24Vdc, 1Amp Regulated
- **Color:** Black
- **Weight:** 349g each unit
- **Dimensions (in):** 5.45" L x 2.91" W x 0.80" H
- **Mounting:** Transmitter, Receiver 4 x 0.25" Mounting Holes.



Please Note! For any technical issues and firmware updates, contact Calrad's technical support department.

40-2011-05102019-WB