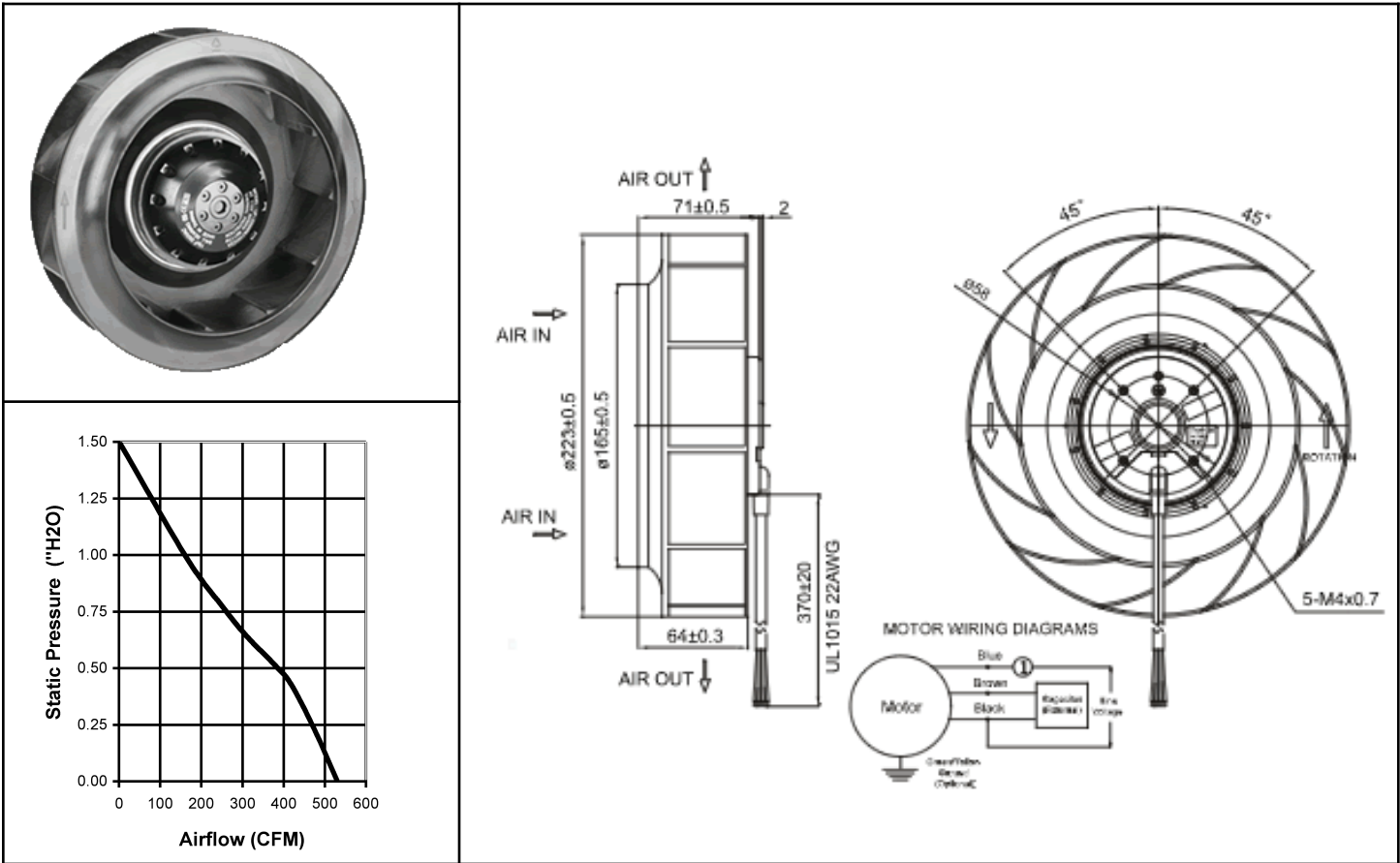


# OAB220 Series



Motorized Impeller  
220 x 71mm (8.7" x 2.8")



Part Number	OAB220-11-1	OAB220-22-1
Nominal Voltage	115VAC	230VAC
Voltage Range	100 ~ 125VAC	200 ~ 240VAC
Nominal Current	0.98A	0.50A
Locked Current	1.22A	0.58A
Rated Power	117W	117W
Rated Speed (RPM)	2650	2650
Airflow (CFM)	530	530
Noise Level (dB)	70	70
Max. Static Pressure	1.5" H <sub>2</sub> O	1.5" H <sub>2</sub> O
Bearing System	Sealed Dual Ball	Sealed Dual Ball

Frame	Diecast Aluminum
Impeller	UL94V-O Thermoplastic
Connection	2x Lead wires
Motor	AC, Shaded Pole, Impedance and thermal protection. CAPACITOR INCLUDED
Bearing System	Dual ball bearing
Insulation Resistance	>100M ohm between leadwire and frame (500VDC)
Dielectric Strength	1500VAC for 1 minute
Temperature Range	-40C ~ +60C
Life (L10)	40,000 hrs (L10, 40C)