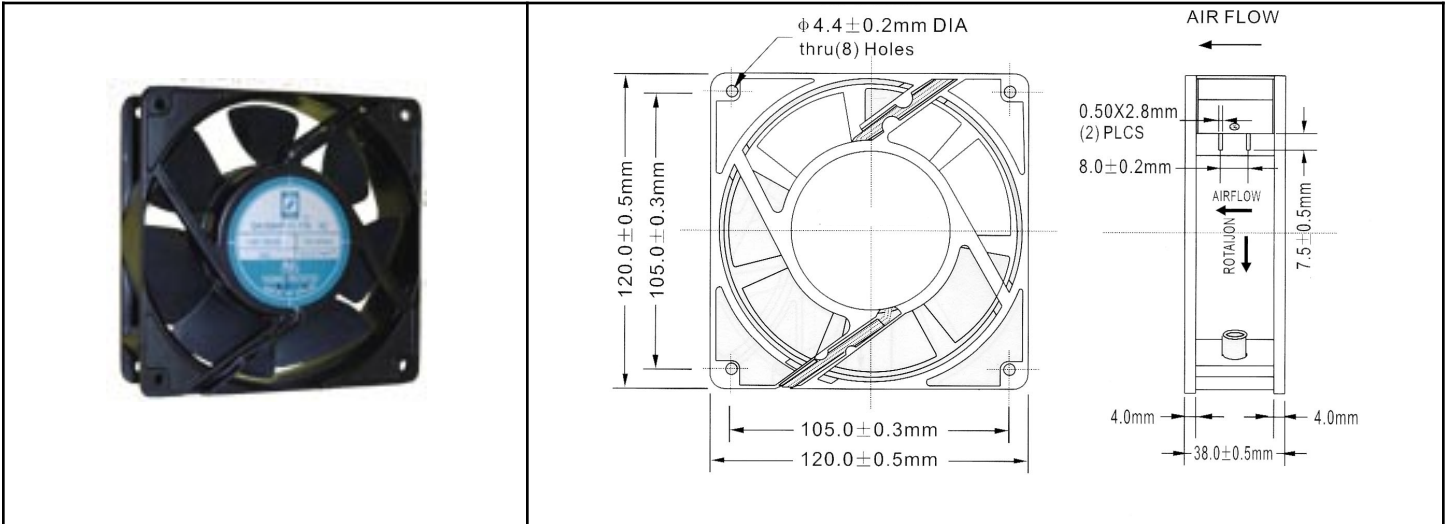


OA109 'XC Series'



AC Fan - 115V, 230V
120x38mm (4.7"x 1.5")



| | | | |
|-----------------------|---|--|--|
| Frame | Diecast Aluminum | <u>Operating Temperature</u> Ball Bearing -40C ~ +70C <u>Life Expectancy</u> Ball Bearing 60,000 hours (L10 at 40C) | |
| Impeller | PBT, UL94V-O plastic | | |
| Connection | 2x Lead wires or Terminals | | |
| Motor | AC capacitor drive, impedance and thermally protected | | |
| Bearing System | Dual ball (Sleeve available) | | |
| Insulation Resistance | >100M ohm between lead-wire and frame (500VDC) | | |
| Dielectric Strength | 1 min at 1500 VAC, 50/60Hz | | |

| Part Number | OA109AP-11-1 * B XC | OA109AP-22-1 * B XC |
|------------------------|--------------------------------|--------------------------------|
| Nominal Voltage | 120 VAC | 230 VAC |
| Rated Power (50/60 Hz) | 20 / 21 W | 21 / 22 W |
| Nominal Current | 0.17 / 0.18 A | 0.10 / 0.11 A |
| Frequency (Hz) | 50 / 60 | 50 / 60 |
| Rated Speed (RPM) | 2800 / 3300 | 2800 / 3300 |
| Airflow (CFM) | 110 / 131 | 110 / 131 |
| Noise Level (dB) | 43 / 47 | 43 / 47 |
| Max. Static Pressure | 0.38" / 0.49" H ₂ O | 0.38" / 0.49" H ₂ O |

* Insert "T" to specify Terminal or "W" to specify Wire leads