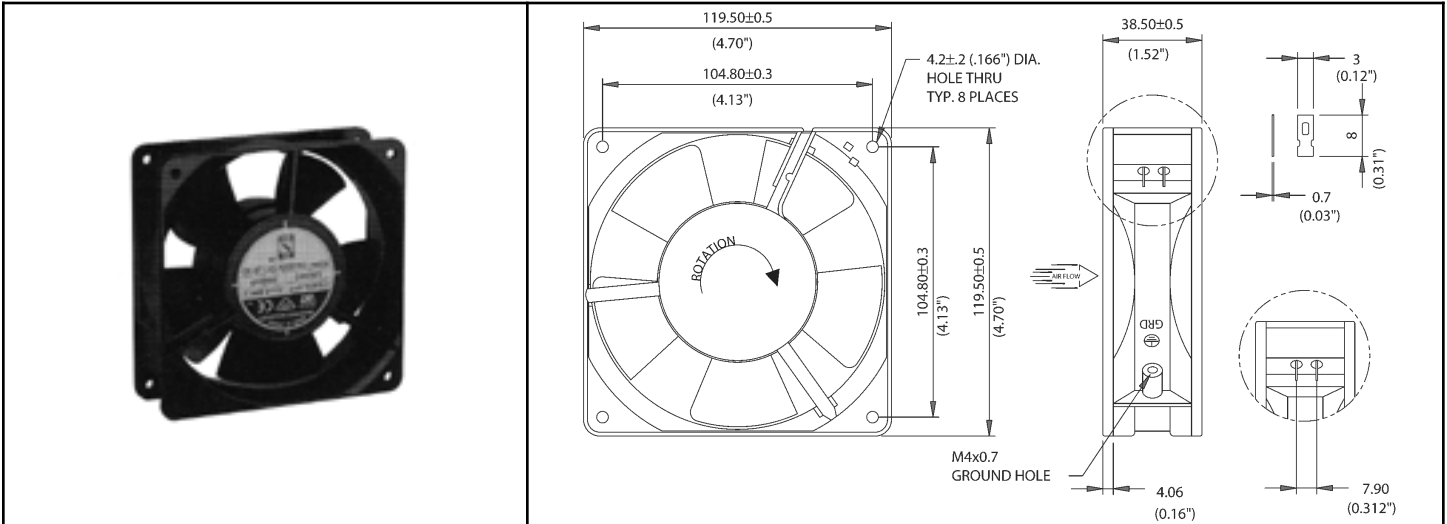


# OA109 (AIOS)



AC Fan - 115V, 230V, Reverse Airflow  
120x38mm (4.7"x 1.5")



Frame	Diecast Aluminum	<p><u>Operating Temperature</u> Ball Bearing -20C ~ +80C Sleeve Bearing -10C ~ +50C</p> <p><u>Life Expectancy</u> Ball Bearing 60,000 hours (L10 at 40C) Sleeve Bearing 30,000 hours (L10 at 40C)</p> <p><u>AIOS</u> Air Input Over Struts</p>	
Impeller	PBT, UL94V-O plastic		
Connection	2x 300mm Lead wires or terminals		
Motor	AC shaded pole, impedance and thermally protected		
Bearing System	Dual ball or Sleeve		
Insulation Resistance	10M ohm between leadwire and frame (500VDC)		
Dielectric Strength	1 min at 1500 VAC, 50/60Hz		

Model Number	Speed (RPM)	Airflow (CFM)	Noise (dB)	Volts AC	Voltage Range	Watts	Max. Static Pressure (\"H2O)
OA109AP-11-1 * R	3100	99	47	115	80~130	15	.33
OA109AP-11-2 * R	2750	85	45	115	80~130	13	.25
OA109AP-11-3 * R	2300	75	38	115	80~130	12	.16
OA109AP-22-1 * R	3100	99	47	230	160~260	15	.33
OA109AP-22-2 * R	2750	85	45	230	160~260	13	.25
OA109AP-22-3 * R	2300	75	38	230	160~260	12	.16

\* Indicate "TB" (Terminal Ball Bearing), "WB" (12" Wire Leads, Ball Bearing), "TS" (Terminal, Sleeve Bearing), "WS" (12" Wire Leads, Sleeve Bearing)