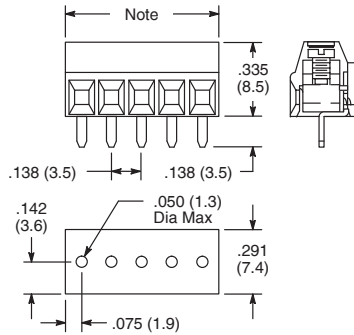


EURO-STYLE TERMINAL BLOCKS

25-E100 Series PC Mount



Note: .138 (3.5) x (P-1) + .150 (3.8)

Pitch: 3.5mm

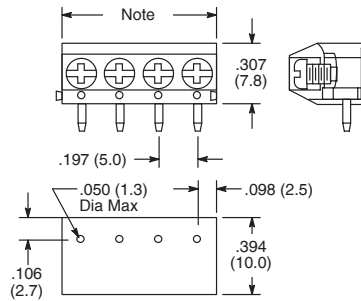
Specifications

Approval	c us
Rated Voltage	300V
Rated Current	10A
Wire Range	-
Solid Wire (AWG)	26 - 16
Stranded Wire (AWG/mm ²)	-
Rated Surge Voltage (UL/Max.)	1.6KV / 3KV
Torque (Lb-in)	1.5
Screw Type	M2
Wire Strip Length	.175 - .197" (4 - 5mm)

Ordering Information

Number of Poles	NTE Part Number
02	25-E100-02
03	25-E100-03
04	25-E100-04
05	25-E100-05
06	25-E100-06
07	25-E100-07
08	25-E100-08
09	25-E100-09
10	25-E100-10

25-E200 Series PC Mount Wire Protector



Note: .197 (5.0) x P

Pitch: 5mm

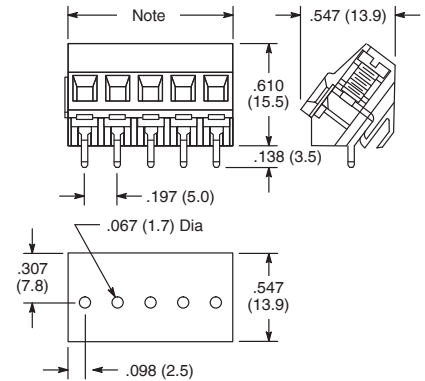
Specifications

Approval	c us
Rated Voltage	300V
Rated Current	16A
Wire Range	-
Solid Wire (AWG)	24 - 14
Stranded Wire (AWG/mm ²)	24 - 14
Rated Surge Voltage (UL/Max.)	1.6KV / 4KV
Torque (Lb-in)	3.5
Screw Type	M2.5
Wire Strip Length	.197 - .236" (5 - 6mm)

Ordering Information

Number of Poles	NTE Part Number
02	25-E200-02
03	25-E200-03

25-E300 Series PC Mount



Note: .197 (5.0) x P

Pitch: 5mm

Specifications

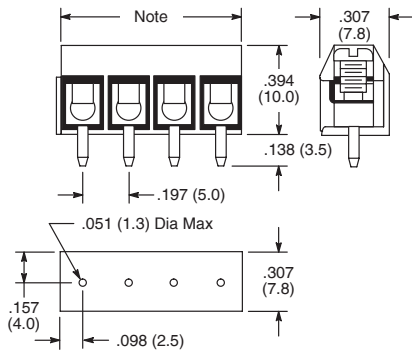
Approval	c us
Rated Voltage	300V
Rated Current	20A
Wire Range	-
Solid Wire (AWG)	24 - 12
Stranded Wire (AWG/mm ²)	24 - 12
Rated Surge Voltage (UL/Max.)	1.6KV / 3KV
Torque (Lb-in)	4.4
Screw Type	M2.5
Wire Strip Length	.236 - .276" (6 - 7mm)

Ordering Information

Number of Poles	NTE Part Number
02	25-E300-02
03	25-E300-03

EUROSTYLE TERMINAL BLOCKS

25–E400 Series PC Mount Wire Protector



Note: .197 (5.0) x P

Pitch: 5mm

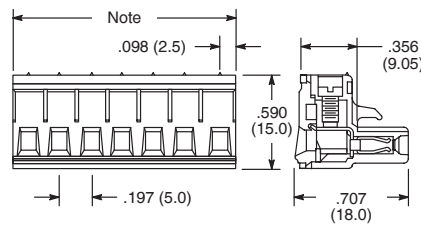
Specifications

Approval	c
Rated Voltage	300V
Rated Current	16A
Wire Range	–
Solid Wire (AWG)	24 – 14
Stranded Wire (AWG/mm ²)	24 – 14
Rated Surge Voltage (UL/Max.)	1.6KV / 4KV
Torque (Lb-in)	3.5
Screw Type	M2.5
Wire Strip Length	.197 – .236" (5 – 6mm)

Ordering Information

Number of Poles	NTE Part Number
02	25–E400–02
03	25–E400–03
04	25–E400–04
05	25–E400–05
06	25–E400–06
07	25–E400–07
08	25–E400–08
09	25–E400–09
10	25–E400–10

25–E800 Series Plug for Pluggable Types



Note: .197 (5.0) x P

Pitch: 5mm

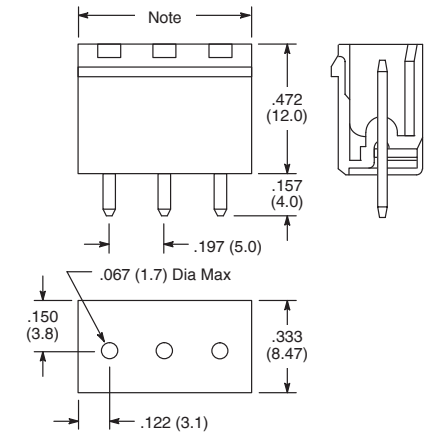
Specifications

Approval	c
Rated Voltage	300V
Rated Current	15A
Wire Range	–
Solid Wire (AWG)	28 – 12
Stranded Wire (AWG/mm ²)	30 – 12
Rated Surge Voltage (UL/Max.)	1.6KV / 4KV
Torque (Lb-in)	4.5
Screw Type	M2.5
Wire Strip Length	.276 – .315" (7 – 8mm)

Ordering Information

Number of Poles	NTE Part Number
02	25–E800–02
03	25–E800–03
04	25–E800–04
05	25–E800–05
06	25–E800–06
07	25–E800–07
08	25–E800–08
09	25–E800–09
10	25–E800–10
12	25–E800–12

25–E900 Series PCB Socket for Pluggable Types



Note: .197 (5.0) x (P-1) + .244 (6.2)

Pitch: 5mm

Specifications

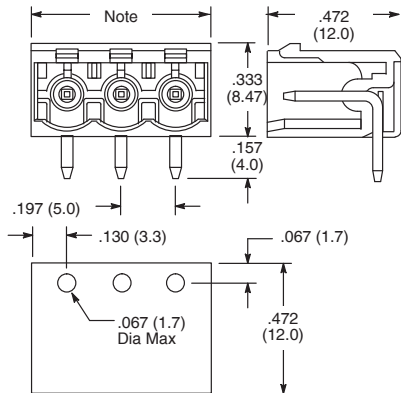
Approval	c
Rated Voltage	300V
Rated Current	15A
Wire Range	–
Solid Wire (AWG)	–
Stranded Wire (AWG/mm ²)	–
Rated Surge Voltage (UL/Max.)	1.6KV / 4KV
Torque (Lb-in)	–
Screw Type	–
Wire Strip Length	–

Ordering Information

Number of Poles	NTE Part Number
02	25–E900–02
03	25–E900–03
04	25–E900–04
05	25–E900–05
06	25–E900–06
07	25–E900–07
08	25–E900–08
09	25–E900–09
10	25–E900–10
12	25–E900–12

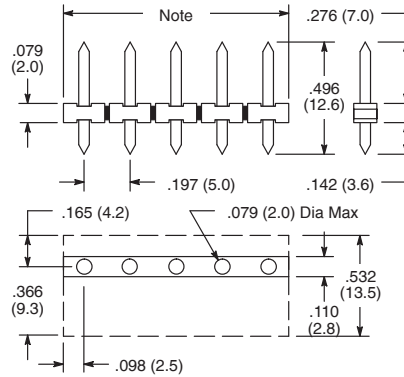
EURO-STYLE TERMINAL BLOCKS

25-E1000 Series PCB Socket for Pluggable Types



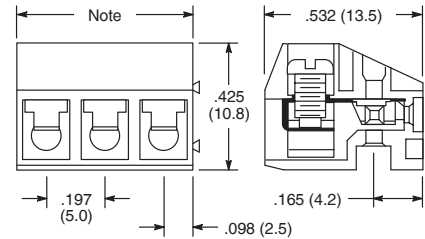
Note: .197 (5.0) x P + .063 (1.6)

25-E1500 Series Wire Protector



Note: .197 (5.0) x P

25-E1600 Series Wire Protector



Note: .197 (5.0) x P

Pitch: 5mm

Specifications

Approval	c us
Rated Voltage	300V
Rated Current	15A
Wire Range	-
Solid Wire (AWG)	-
Stranded Wire (AWG/mm ²)	-
Rated Surge Voltage (UL/Max.)	1.6KV / 4KV
Torque (Lb-in)	-
Screw Type	-
Wire Strip Length	-

Pitch: 5mm

Specifications

Approval	c us
Rated Voltage	300V
Rated Current	7A
Wire Range	-
Solid Wire (AWG)	-
Stranded Wire (AWG/mm ²)	-
Rated Surge Voltage (UL/Max.)	1.6KV / 4KV
Torque (Lb-in)	-
Screw Type	-
Wire Strip Length	-

Pitch: 5mm

Specifications

Approval	c us
Rated Voltage	300V
Rated Current	7A
Wire Range	-
Solid Wire (AWG)	22 - 14
Stranded Wire (AWG/mm ²)	22 - 14
Rated Surge Voltage (UL/Max.)	1.6KV / 4KV
Torque (Lb-in)	2.7
Screw Type	M2.5
Wire Strip Length	.197 - .236" (5 - 6mm)

Ordering Information

Number of Poles	NTE Part Number
02	25-E1000-02
03	25-E1000-03
04	25-E1000-04
05	25-E1000-05
06	25-E1000-06
07	25-E1000-07
08	25-E1000-08
09	25-E1000-09
10	25-E1000-10
12	25-E1000-12

Ordering Information

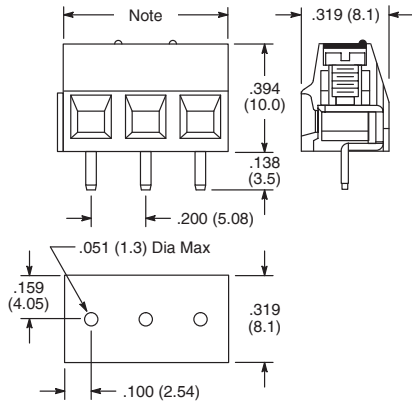
Number of Poles	NTE Part Number
02	25-E1500-02
03	25-E1500-03
04	25-E1500-04
05	25-E1500-05
06	25-E1500-06
07	25-E1500-07
08	25-E1500-08
09	25-E1500-09
10	25-E1500-10
11	25-E1500-11
12	25-E1500-12

Ordering Information

Number of Poles	NTE Part Number
02	25-E1600-02
03	25-E1600-03
04	25-E1600-04
05	25-E1600-05
06	25-E1600-06
07	25-E1600-07
08	25-E1600-08
09	25-E1600-09
10	25-E1600-10
11	25-E1600-11
12	25-E1600-12

EURO-STYLE TERMINAL BLOCKS

25-E500 Series PC Mount



Note: .200 (5.08) x P

Pitch: 5.08mm

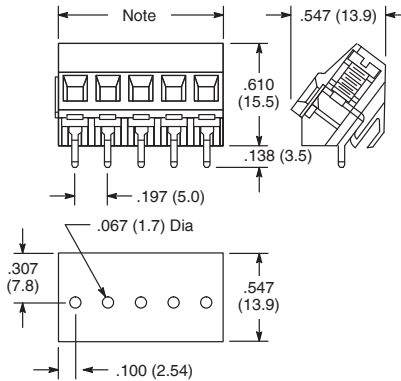
Specifications

Approval	c us
Rated Voltage	300V
Rated Current	13.5A
Wire Range	-
Solid Wire (AWG)	30 - 14
Stranded Wire (AWG/mm ²)	30 - 14
Rated Surge Voltage (UL/Max.)	1.6KV / 3KV
Torque (Lb-in)	5
Screw Type	M2.5
Wire Strip Length	.236 - .276" (6 - 7mm)

Ordering Information

Number of Poles	NTE Part Number
02	25-E500-02
03	25-E500-03

25-E600 Series PC Mount



Note: .200 (5.08) x P

Pitch: 5.08mm

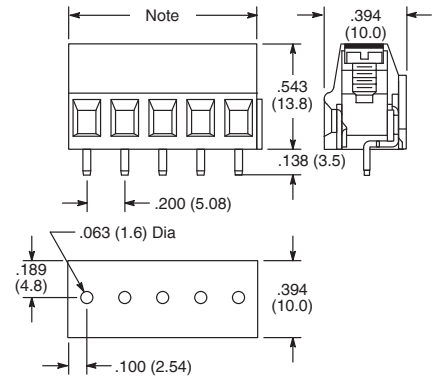
Specifications

Approval	c us
Rated Voltage	300V
Rated Current	20A
Wire Range	-
Solid Wire (AWG)	24 - 12
Stranded Wire (AWG/mm ²)	24 - 12
Rated Surge Voltage (UL/Max.)	1.6KV / 3KV
Torque (Lb-in)	4.4
Screw Type	M2.5
Wire Strip Length	.236 - .276" (6 - 7mm)

Ordering Information

Number of Poles	NTE Part Number
02	25-E600-02
03	25-E600-03

25-E700 Series PC Mount



Note: .200 (5.08) x P

Pitch: 5.08mm

Specifications

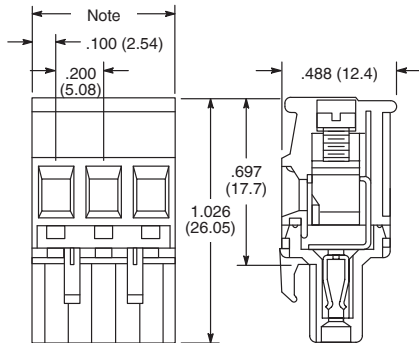
Approval	c us
Rated Voltage	300V
Rated Current	20A
Wire Range	-
Solid Wire (AWG)	24 - 12
Stranded Wire (AWG/mm ²)	24 - 12
Rated Surge Voltage (UL/Max.)	1.6KV / 3KV
Torque (Lb-in)	4.4
Screw Type	M2.5
Wire Strip Length	.236 - .276" (6 - 7mm)

Ordering Information

Number of Poles	NTE Part Number
02	25-E700-02
03	25-E700-03
04	25-E700-04
05	25-E700-05
06	25-E700-06
07	25-E700-07
08	25-E700-08
09	25-E700-09
10	25-E700-10

EUROSTYLE TERMINAL BLOCKS

25-E1100 Series Plug for Pluggable Types



Note: .200 (5.08) x P

Pitch: 5.08mm

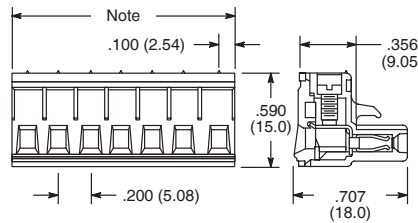
Specifications

Approval	
Rated Voltage	300V
Rated Current	15A
Wire Range	-
Solid Wire (AWG)	28 - 12
Stranded Wire (AWG/mm ²)	30 - 12
Rated Surge Voltage (UL/Max.)	1.6KV / 3KV
Torque (Lb-in)	4.5
Screw Type	M2.5
Wire Strip Length	.276 - .315" (7 - 8mm)

Ordering Information

Number of Poles	NTE Part Number
02	25-E1100-02
03	25-E1100-03
04	25-E1100-04
05	25-E1100-05
06	25-E1100-06
08	25-E1100-08
10	25-E1100-10

25-E1200 Series Plug for Pluggable Types



Note: .200 (5.08) x P

Pitch: 5.08mm

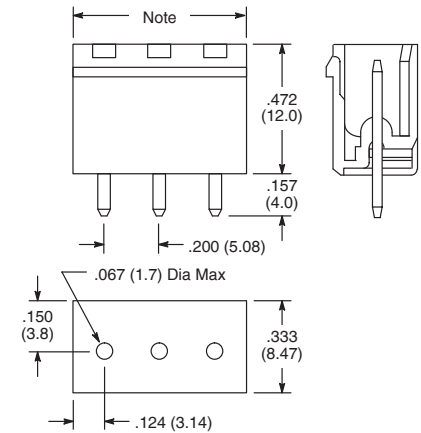
Specifications

Approval	
Rated Voltage	300V
Rated Current	15A
Wire Range	-
Solid Wire (AWG)	28 - 12
Stranded Wire (AWG/mm ²)	30 - 12
Rated Surge Voltage (UL/Max.)	1.6KV / 4KV
Torque (Lb-in)	4.5
Screw Type	2.5
Wire Strip Length	.276 - .315" (7 - 8mm)

Ordering Information

Number of Poles	NTE Part Number
02	25-E1200-02
03	25-E1200-03
04	25-E1200-04
05	25-E1200-05
06	25-E1200-06
08	25-E1200-08
10	25-E1200-10
12	25-E1200-12

25-E1300 Series PCB Socket for Pluggable Types



Note: .200 (5.08) x (P-1) + .247 (6.28)

Pitch: 5.08mm

Specifications

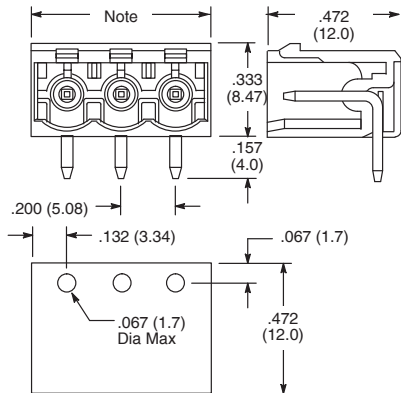
Approval	
Rated Voltage	300V
Rated Current	15A
Wire Range	-
Solid Wire (AWG)	-
Stranded Wire (AWG/mm ²)	-
Rated Surge Voltage (UL/Max.)	1.6KV / 4KV
Torque (Lb-in)	-
Screw Type	-
Wire Strip Length	-

Ordering Information

Number of Poles	NTE Part Number
02	25-E1300-02
03	25-E1300-03
04	25-E1300-04
05	25-E1300-05
06	25-E1300-06
08	25-E1300-08
10	25-E1300-10
12	25-E1300-12

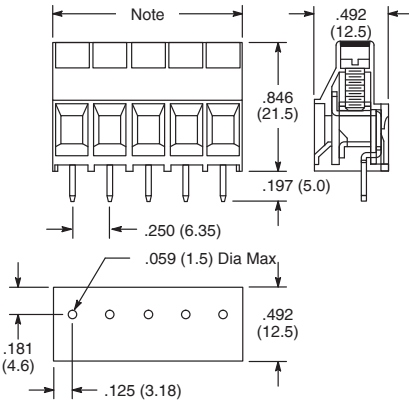
EUROSTYLE TERMINAL BLOCKS

25-E1400 Series PCB Socket for Pluggable Types



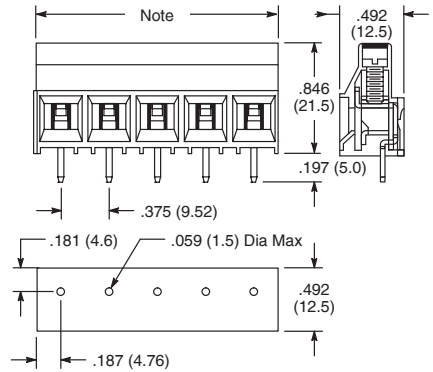
Note: .200 (5.08) x P + .063 (1.6)

25-E1700 Series PC Mount



Note: .250 (6.35) x (P-1) + .251 (6.36)

25-E1800 Series PC Mount



Note: .375 (9.52) x (P-1) + .375 (9.52)

Pitch: 5.08mm

Specifications

Approval	
Rated Voltage	300V
Rated Current	15A
Wire Range	-
Solid Wire (AWG)	-
Stranded Wire (AWG/mm ²)	-
Rated Surge Voltage (UL/Max.)	1.6KV / 4KV
Torque (Lb-in)	-
Screw Type	-
Wire Strip Length	-

Ordering Information

Number of Poles	NTE Part Number
02	25-E1400-02
03	25-E1400-03
04	25-E1400-04
05	25-E1400-05
06	25-E1400-06
08	25-E1400-08
10	25-E1400-10
12	25-E1400-12

Pitch: 6.35mm

Specifications

Approval	
Rated Voltage	300V
Rated Current	30A
Wire Range	-
Solid Wire (AWG)	26 - 10
Stranded Wire (AWG/mm ²)	26 - 10
Rated Surge Voltage (UL/Max.)	1.6KV / 4KV
Torque (Lb-in)	7
Screw Type	M3
Wire Strip Length	.394 - .433" (10 - 11mm)

Ordering Information

Number of Poles	NTE Part Number
02	25-E1700-02
03	25-E1700-03

Pitch: 9.52mm

Specifications

Approval	
Rated Voltage	300V / 600V
Rated Current	30A / 5A
Wire Range	-
Solid Wire (AWG)	26 - 10
Stranded Wire (AWG/mm ²)	26 - 10
Rated Surge Voltage (UL/Max.)	2.2KV / 4KV
Torque (Lb-in)	4.4
Screw Type	M3
Wire Strip Length	.236 - .276" (6 - 7mm)

Ordering Information

Number of Poles	NTE Part Number
02	25-E1800-02
03	25-E1800-03