

# PM-2

*universal clamping small projector mount*

## Product Features:

- rotates 360°
- adjustable 0° to 10° tilt
- opens from 7" to 14" (left to right)
- opens from 3" to 5.75" (top to bottom)
- 8 point clamping mechanism adjusts from 6.5" to 10" (front to back)
- mast telescopes 18" to 30" from ceiling
- integrated flush mount plate included
- load capacity - 75 lbs
- black powder coat finish

## Product Specifications:

*(for Architects & Engineers)*

The universal ceiling mount for LCD projectors shall be a Video Mount Products (VMP) model PM-2. The mount shall be constructed primarily of formed steel and shall incorporate arc welds. The mount shall have adjustable tilt up to a maximum of 10°, open from 7" to 14" (left to right) and 3" to 5.75" (top to bottom).

The mount shall have an integrated clamping mechanism that will secure the projector on all sides. The mount shall include a telescoping ceiling mast adjustable from 18" to 30". The projector mount shall also have the ability to be flush mounted to the ceiling on 16" centers. The load capacity shall be 75 lbs.

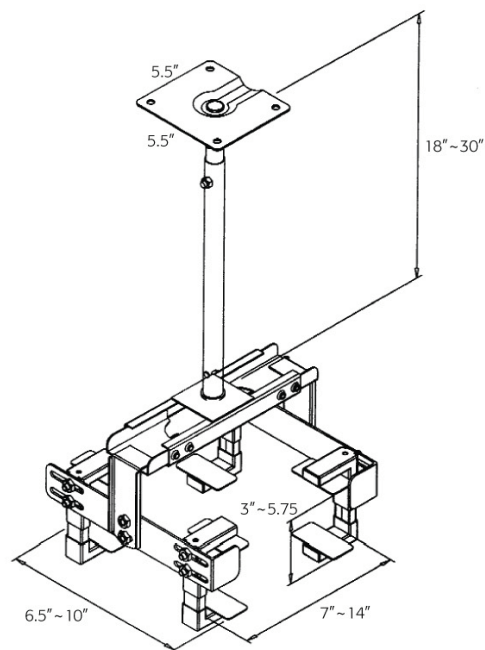
## Video Mount Products

325 Log Canoe Circle  
Stevensville, MD 21666

Phone: 410.643.6390

Fax: 410.643.6615

[www.videomount.com](http://www.videomount.com)



**VMP**  
VIDEO MOUNT PRODUCTS

