

# LCD-1C

*universal LCD monitor ceiling mount*

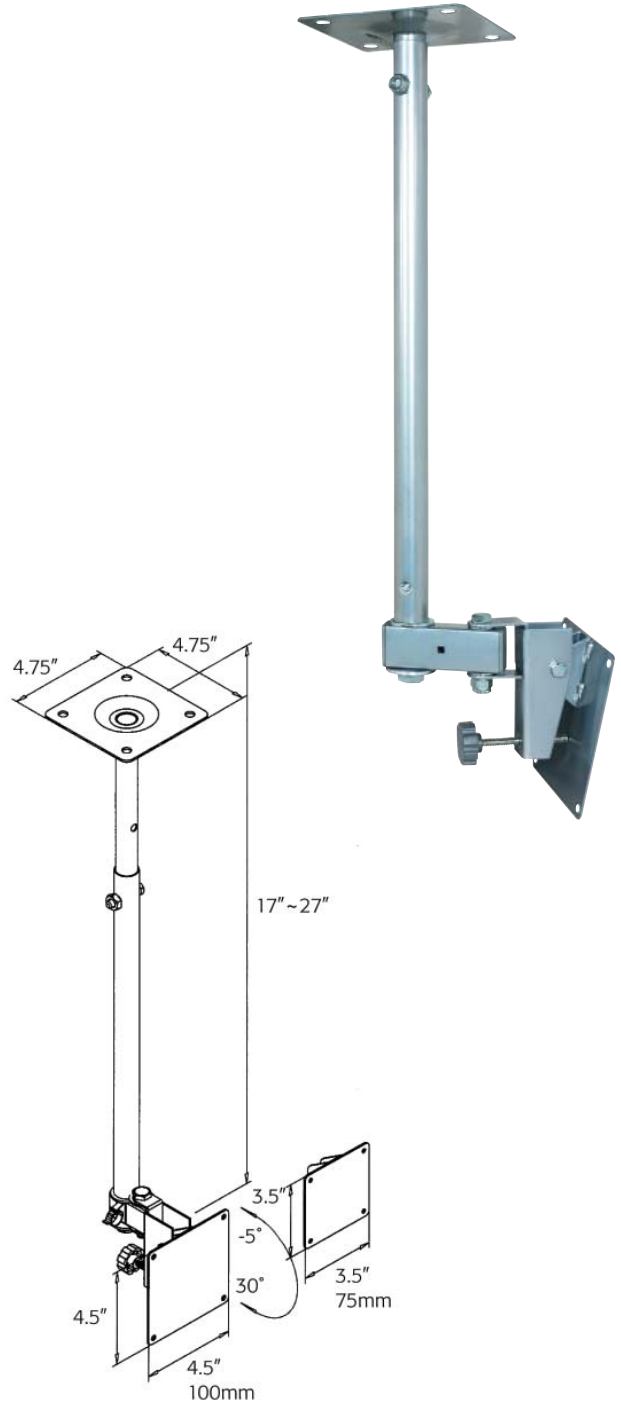
## Product Features:

- holds most 10" - 23" LCD monitors
- accommodates monitors with 75 or 100mm VESA standards
- mast telescopes 17" to 27" from the ceiling
- rotates 360° (ceiling) and has adjustable -5° to +30° tilt
- rotates 240° at the monitor
- includes clip based cable management system
- load capacity - 25 lbs
- silver powder coat finish
- also available with black finish (LCD-1CB) and white finish (LCD-1CW)

## Product Specifications:

*(for Architects & Engineers)*

The ceiling mount for the LCD display shall be the Video Mount Products (VMP) model LCD-1C. The mount shall be constructed primarily of tubular steel and shall incorporate nylon filled nuts and arc welds. The mount shall be a universal style mount capable of mounting to all 10" - 23" LCD monitors that incorporate 75mm and 100mm VESA standard mounting hole patterns and not necessarily be model specific. The mount shall include both 75mm and 100mm mounting plates. The mount shall include a cable management system. The mount shall include a telescoping mast that adjusts from 17" - 27" from the ceiling. The mount must allow for adjustable tilt from -5° to +30°. The load capacity shall be 25 lbs.



## Video Mount Products

325 Log Canoe Circle  
Stevensville, MD 21666  
Phone: 410.643.6390  
Fax: 410.643.6615  
[www.videomount.com](http://www.videomount.com)

