

EXT-B

*extension pipe for VMP042/044,
046/048 and LCD-1C*

Product Features:

acts as an inline splice to to extend drop length of VMP 042/044, 046/048 and LCD-1C by up to 28" (can be cut to length)

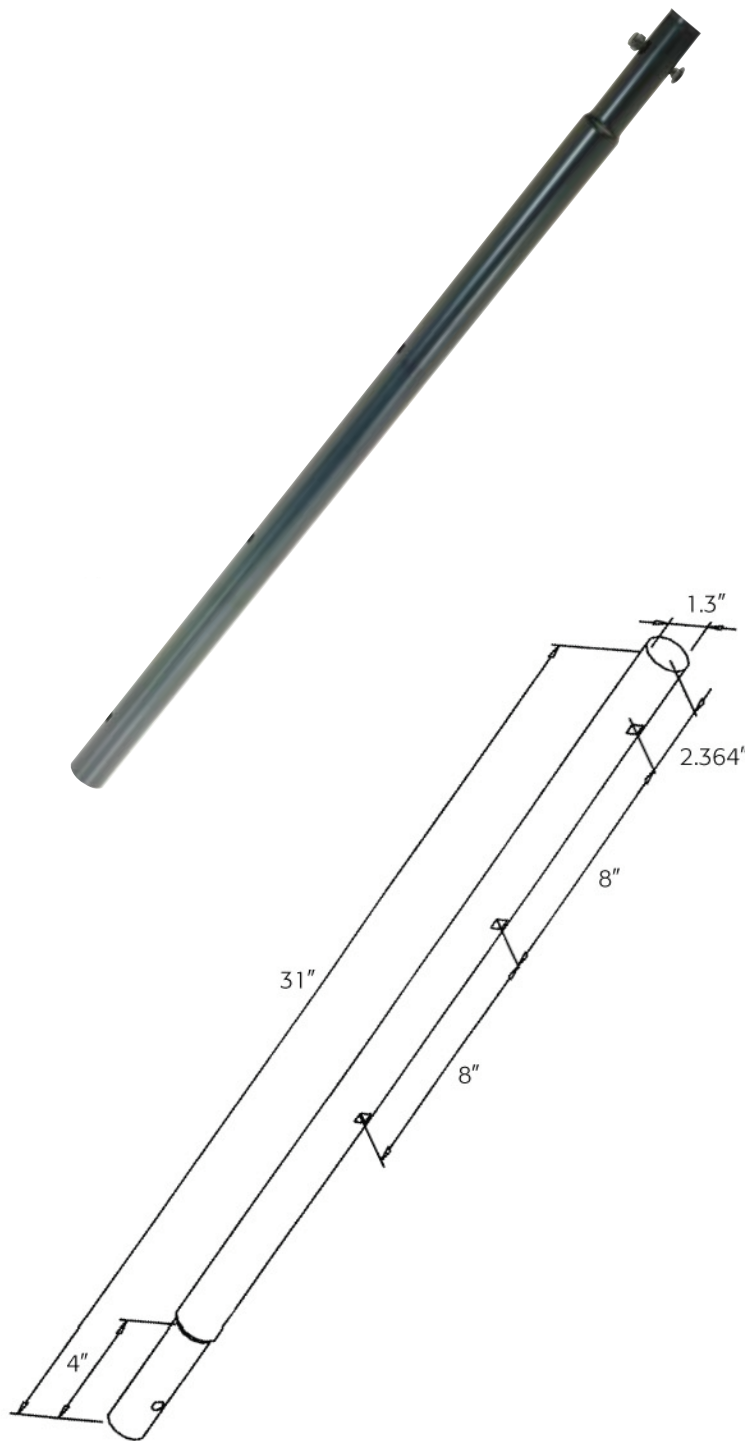
31" tempered steel mast

black powder coat finish

Product Specifications: *(for Architects & Engineers)*

The extension pipe to extend the drop length of the VMP 042/044, VMP 046/048, and the LCD-1C shall be the Video Mount Products (VMP) EXT-B. The extension pipe shall be 31" in length and shall be tempered steel. The extension pipe shall have pre-drilled holes every 8" and shall integrate with the mast provided in the afore mentioned mounts. The mast shall add up to 28" of additional adjustable mast length.

Video Mount Products
325 Log Canoe Circle
Stevensville, MD 21666
Phone: 410.643.6390
Fax: 410.643.6615
www.videomount.com



VMP
VIDEO MOUNT PRODUCTS