

# ER-S1V

*vented universal economy rack shelf*

## Product Features:

fits components up to 17" wide

racking height - 2 space

tray depth - 12.5"

load capacity - 40 lbs.

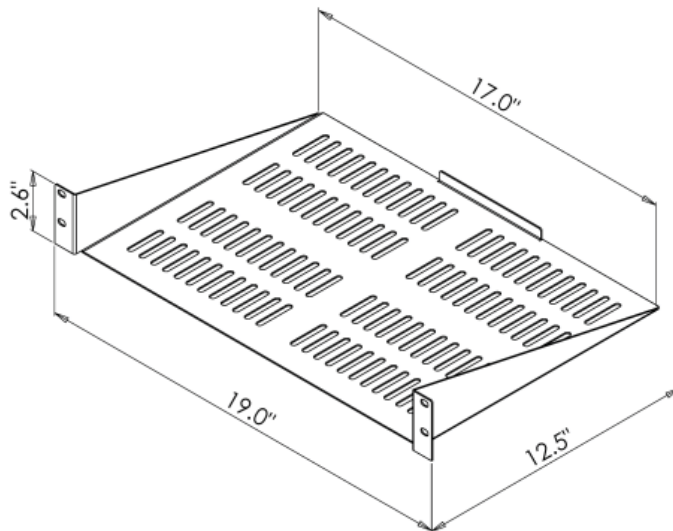
black powder coat finish

includes 10-32 and 12-24 mounting screws

## Product Specifications:

*(for Architects & Engineers)*

The vented equipment rack shelf shall be the Video Mount Products (VMP) model ER-S1V. The shelf shall be compatible with standard 19" equipment racks without modification. The shelf shall fit all components up to 17" in width. The shelf shall be painted with a durable black powder coat finish. The load capacity shall be 40 lbs.



## Video Mount Products

325 Log Canoe Circle

Stevensville, MD 21666

Phone: 410.643.6390

Fax: 410.643.6615

[www.videomount.com](http://www.videomount.com)

**VMP**  
VIDEO MOUNT PRODUCTS