

# ER-HWB1

*hinged wall bracket - 1 space*

## Product Features:

provides easy access to the back of panels

right or left hand opening

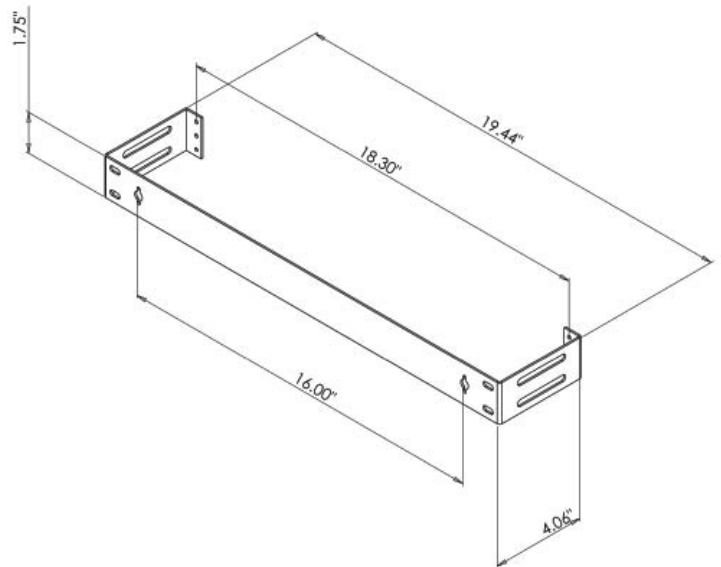
depth - 4"

includes 10 - 32 and 12 - 24 rack screws

black static resistant powder coat finish

## Product Specifications: *(for Architects & Engineers)*

The hinged wall bracket for the equipment rack shall be the Video Mount Products (VMP) model ER-HWB1. The bracket shall be compatible with standard 19" equipment racks without modification. The bracket shall be 4" in depth and be able to open right or left handed. The bracket shall be painted with a durable static resistant black powder coat finish.



## Video Mount Products

325 Log Canoe Circle

Stevensville, MD 21666

Phone: 410.643.6390

Fax: 410.643.6615

[www.videomount.com](http://www.videomount.com)

