

# ER-184-4PKIT

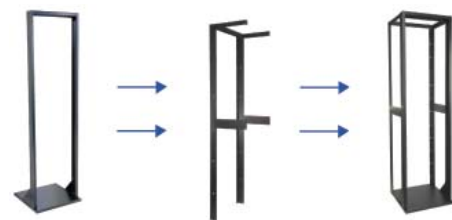
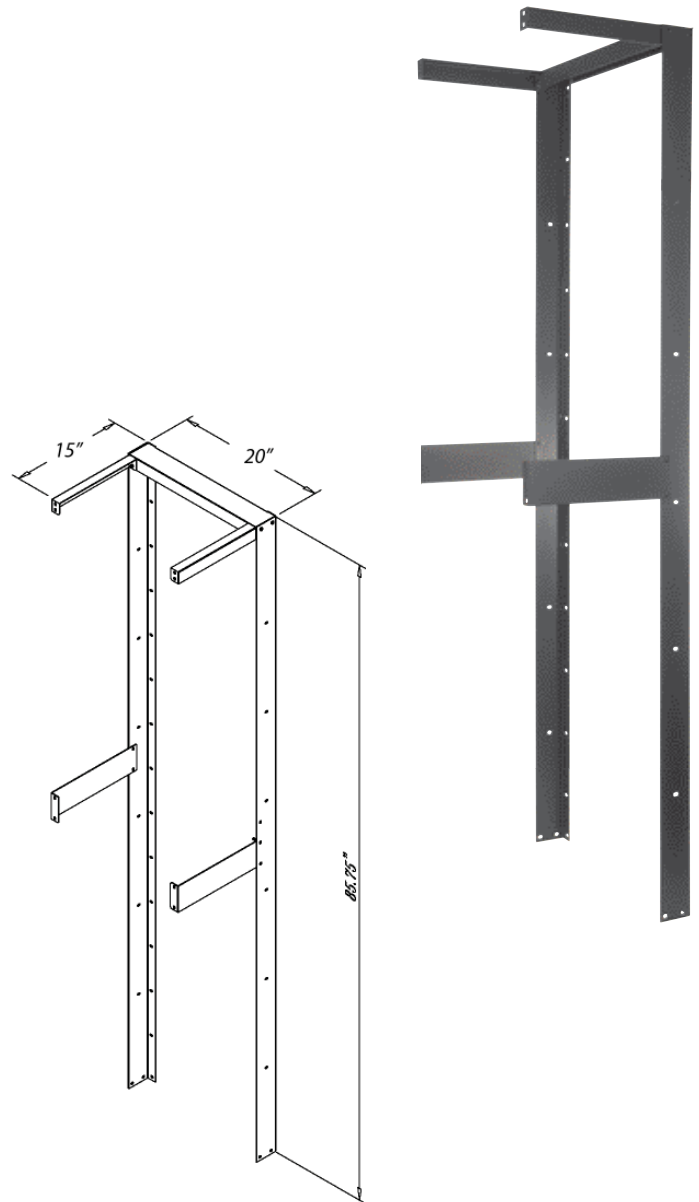
2 post extension kit for ER-184

## Product Features:

- converts ER-184 from 2 post to 4 post rack
- includes side stabilizing bars
- steel construction
- black static resistant powder coat finish

## Product Specifications: *(for Architects & Engineers)*

The 4 post conversion kit for the ER-184 shall be the Video Mount Products (VMP) model ER-184-4PKIT. The kit shall be primarily constructed of formed steel. The kit shall include side stabilizing bars to all hardware necessary to convert the ER-184 to a 4 post rack. The kit shall be painted with a durable black powder coat finish.



**Video Mount Products**  
325 Log Canoe Circle  
Stevensville, MD 21666  
Phone: 410.643.6390  
Fax: 410.643.6615  
[www.videomount.com](http://www.videomount.com)

