

DS-BP

Digital Signage Mount Wall Plate Extension

Product Features:

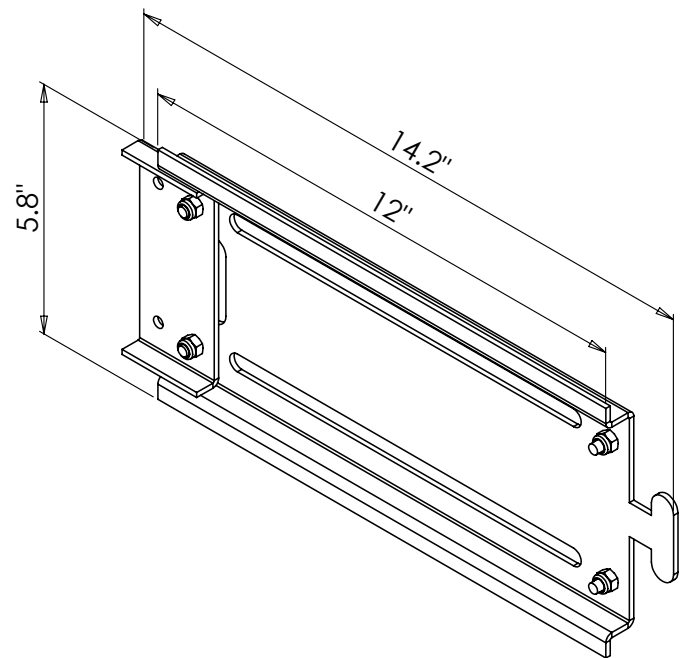
Used w/ the FP-LDSB to extend the wall plate 12" to add additional flat panels

Black powder coat finish

Product Specifications:

(for Architects & Engineers)

The wall plate extension bridge plate for the Video Mount Products (VMP) part number FP-LDSB shall be the VMP part number DS-BP. The plate shall be able to extend the FP-LDSB wall plate 12" additional inches for every bridge plate added. The plate shall allow two or more FP-LDSB wall plates to connect together in a line. The plate shall incorporate welded screws and lock nuts. The plate shall be coated in a black finish.



Video Mount Products

345 Log Canoe Circle
Stevensville, MD 21666
Toll Free: 877.281.2169
Telephone: 410.643.6390
Facsimile: 410.643.6615
www.videomount.com

