

# AK-1PT

Adaptor Kit w/ Cable Pass Through

## Product Features:

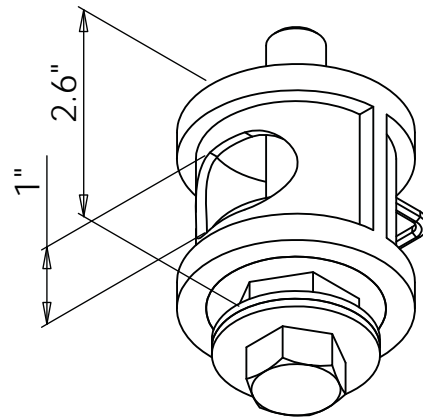
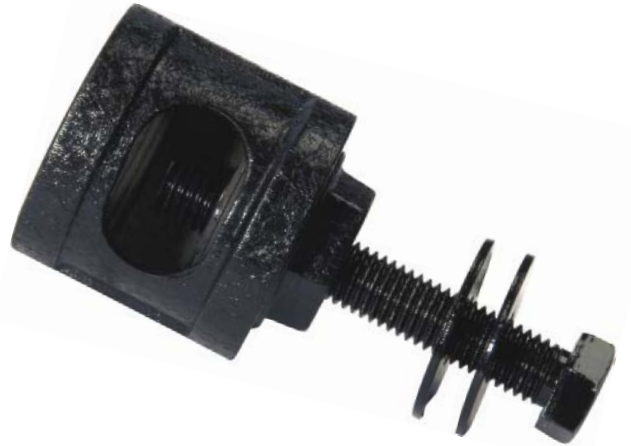
Adaptor Kit for VMP014/024, VMP036/038, PM Series, PDS-LC, LCD-MID-C and LCD-2537C to be used with standard 1.5" NPT pipe

Cable pass-through allows cable management through center of masting

## Product Specifications:

*(for Architects & Engineers)*

The adaptor kit for models VMP-014/024, VMP-036/038, PM Series, PDM-C, LCD-2537C, LCD-1C, VMP-042/044 and VMP-046/048 shall be a Video Mount Products (VMP) AK-1PT. The adaptor shall allow the mount to accept 1.5" NPT pipe to allow for longer ceiling mast lengths. The adaptor shall have a cable pass through to allow cable to be pass in the center of the pipe. Used in conjunction with the CP-1PT (Ceiling Plate).



## Video Mount Products

345 Log Canoe Circle  
Stevensville, MD 21666  
Toll Free: 877.281.2169  
Telephone: 410.643.6390  
Facsimile: 410.643.6615  
[www.videomount.com](http://www.videomount.com)

**VMP**  
VIDEO MOUNT PRODUCTS