

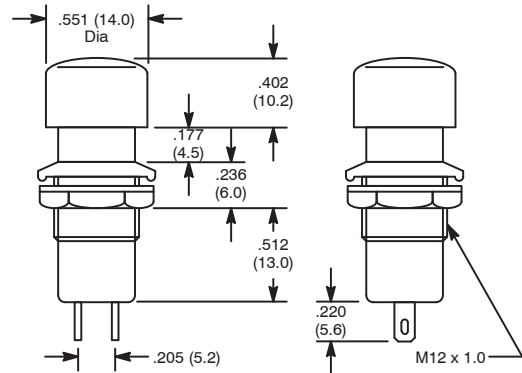
# Pushbutton, Single Pole



NTE Type No.	Circuitry	Action		Actuator		Diag No.
				Material	Color	
54-556	SPST	OFF	(ON)	ABS Resin	Red	S25
54-557	SPST	OFF	(ON)	ABS Resin	Yellow	S25
54-558	SPST	OFF	(ON)	ABS Resin	Black	S25

SPECIAL NOTE: ( ) = Momentary Function

S25



## Specifications

**Current Rating:** 3A 125VAC, 1.5A 250VAC  
**Insulation Resistance:** 100 Megohms (min.) at 500VDC  
**Dielectric Strength:** 1000V RMS (min.)  
**Temperature Rating:** -4° to +149°F (-20° to +65°C)  
**Electrical Life:** 6000 cycles (min.)  
**Mechanical Life:** 100,000 cycles (min.)  
**Terminal Type:** Solder Lug  
**Mounting Hole:** .480 (12.2)

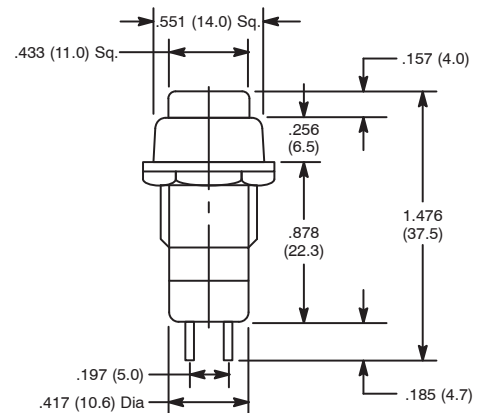
# Pushbutton, Single Pole



NTE Type No.	Circuitry	Action		Actuator		Diag No.
				Material	Color	
54-125	SPST	OFF	(ON)	Poly Oxy Methylene	Red	S109

SPECIAL NOTE: ( ) = Momentary Function

S109



## Specifications

**Current Rating:** 3A 250VAC  
**Insulation Resistance:** 100 Megohms (min.) at 500VDC  
**Dielectric Strength:** 1500V RMS (min.)  
**Temperature Rating:** +14° to +131°F (-10° to +55°C)  
**Electrical Life:** 5,000 cycles  
**Mechanical Life:** 30,000 cycles  
**Terminal Type:** Solder lug  
**Mounting Hole:** .484 (12.3)