

CALRAD[®] Electronics

For technical assistance call: **323-465-2131**
www.calrad.com

INTEGRATOR SERIES

40-2000 HDMI 1080P BALUN OVER SINGLE CAT5e/6 CABLE Brochure & Instruction Sheet

The **40-2000** balun provides a single UTP category 5e/6 cable solution to deliver pristine digital signals from all HDTV formats and signal sources from 480i/p to 1080i/p. Balun technologies are perfect solutions for replacing a standard HDMI cable that is limited to much shorter distances and difficult to route thru walls and cabinets. Balun technology also offers many advantages when HDTV video technology changes by installing new updated video baluns with the latest technology.

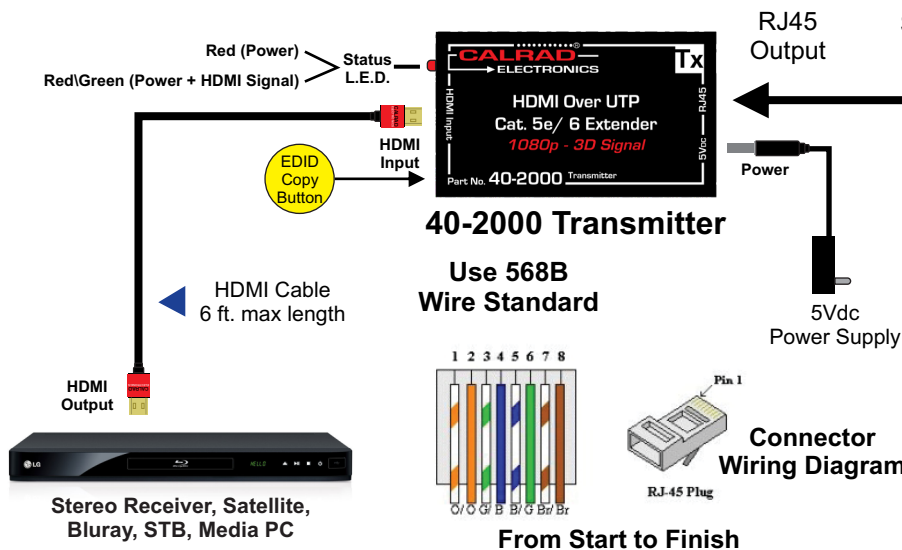
Receiver Transmitter



Sold in Pairs
FCC, UL Approved Devices



Connectivity Diagram 1A.



CABLE DISTANCE:

CAT5e: 480i, 720p, 1080i - 125 ft.

CAT6: 1080p - 150 ft.

Please Note! We recommend Cat6 cable for reliable 3D signal delivery.

Single Cat5e or Cat6 Cable

Specifications

HDTV Resolutions:

Digital Audio: Dolby TrueHD, DTS-HD Master Audio

Cat5e 62M (200 ft. max) 480i/p, 720p, 1080i

Cat5e 33M (110 ft. max) up to 1080P

Cat6 46M (150 ft. max) @ 1080p @ 24/50/60Hz

Connectors: (Transmitter, Receiver): 1 x 19 pin

HDMI Female Jack, 1 x RJ45 Shielded Jack, 1 x

2.1mm DC Coax Power jack, each unit

DC Power Supply: 2 x 5V, 1 Amp Regulated

USB Power Adapter: 1 x USB Power Interface Cable

HDMI Cable: 1 x 3 ft. (Included)

Weight: Transmitter: 125g/ Receiver: 125g

Balun Transmitter: L-3.34" x W-1.94" x H-.94"

Balun Receiver: L-3.34" x W-1.94" x H-.94"

Chassis Color: Black

Please Note!

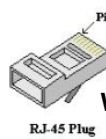
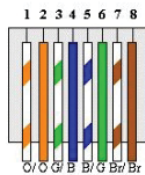
Some distances may vary and are dependent on manufactures individual HDMI specifications. All products should be fully tested prior to committing to a UTP Cat5e, Cat6 solution and sealing long runs of cables inside walls, possibly compromising your installation.

Tech Support

Tel: 323-465-2131, M-F 8:00am -4:00pm PST.

40-2000 Transmitter

Use 568B
Wire Standard

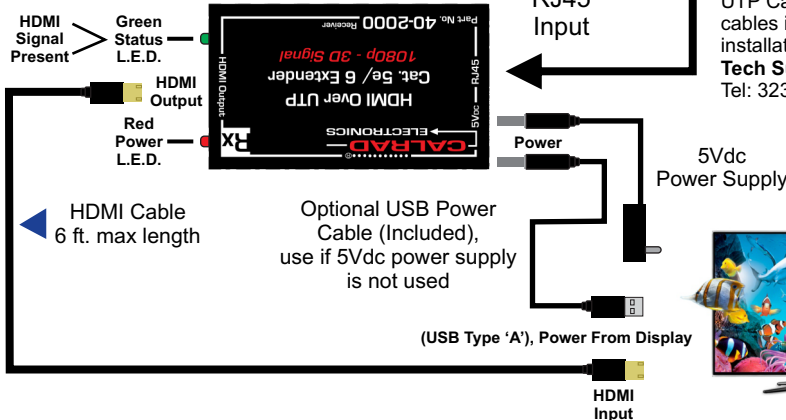


From Start to Finish

40-2000 Receiver

EDID Copy

If you are unable to sink the Transmitter and Receiver together, try using the copy EDID feature: Connect the HDMI transmitter to the display device (TV), plug the power supply into the Transmitter, press the "EDID copy button" next to the HDMI input jack and the status L.E.D. indicator flashes, the EDID data information has been copied from the display device successfully. Reconnect the Transmitter and Receiver and retest. Pressing the "EDID" copy button" for 3 seconds will reset the unit to factory default settings.



3D
Compliant

Plasma, LCD - L.E.D.,
Monitor, DLP Projector

40-2000-11222016-WB