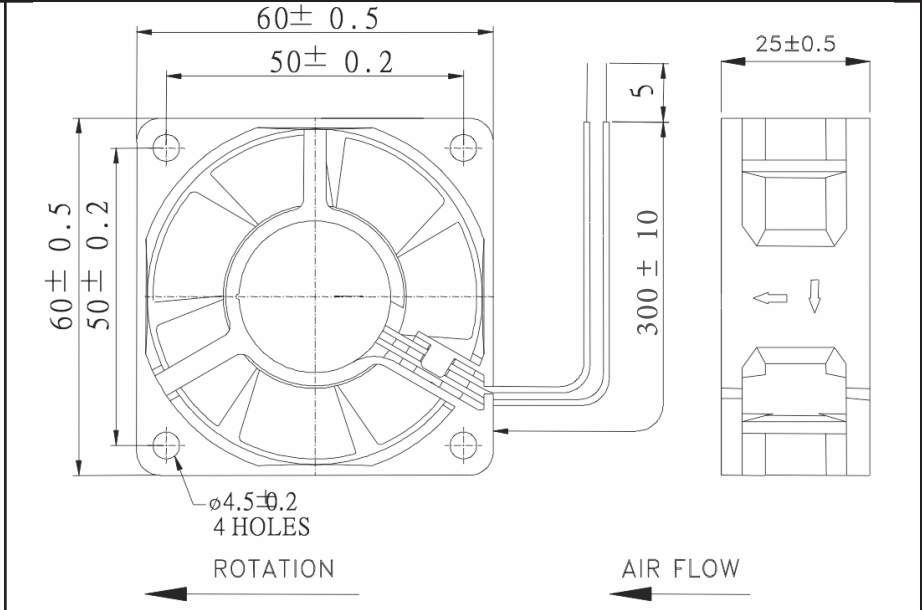


OD6025 Series



DC Fan - 5, 12, 24, 48V
60x25mm (2.36"x 1.0")



Frame & Impeller	PBT, UL94V-0 plastic	Available Options: Tachometer Alarm PWM IP55 <u>Life Expectancy (L10)</u> Ball - 60,000 hrs (45C) Sleeve - 30,000 hrs (45C) <u>Operating Temperature</u> Ball: -20C ~ +75C Sleeve: -10C ~ +50C Weight: ~ 0.15 lbs	
Connection	2x Lead wires 24AWG		
Motor	Brushless DC, auto restart, polarity protected		
Bearing System	Ball bearing or Sleeve		
Insulation Resistance	10M ohm between leadwire and frame (500VDC)		
Dielectric Strength	1 minute at 500 VAC, max leakage < 500 MicroAmp		
Storage Temperature	-40C ~ +80C		

Model Number	Speed (RPM)	Airflow (CFM)	Noise (dB)	Volts DC	Input Power (Watts)	Amps	Max. Static Pressure (\"H2O)
OD6025-05H*	4000	20	30	5	1.4	0.28	0.17
OD6025-12HH *	5100	28	40	12	3.1	0.25	0.24
OD6025-12H *	4500	24	35	12	2.8	0.23	0.20
OD6025-12M *	3500	18	27	12	1.7	0.14	0.11
OD6025-12L *	2500	13	18	12	1.0	0.08	0.07
OD6025-24HH *	5100	28	40	24	3.9	0.16	0.24
OD6025-24H *	4500	24	35	24	3.5	0.15	0.20
OD6025-24M *	3500	18	27	24	1.9	0.08	0.11
OD6025-24L *	2500	13	18	24	1.0	0.06	0.07
OD6025-48H*	4200	28	30	48	3.4	0.07	0.24

To indicate sleeve bearing replace "B" suffix with "S" in part number (30,000 hrs life expectancy)
 To indicate sealed sleeve bearing replace "B" with "SS" in part number (50,000 hrs life expectancy)